

NO COMPROMISE!
1/8 SCALE NITRO 4WD RACING KIT



SPIRIT

S T R 8



FEEL THE SPIRIT!



INSTRUCTION MANUAL



WWW.HOBBYTECH-RC.COM



IMPORTANT SAFETY NOTE



Please read all instructions and familiarize yourself with the products and control before operation

The 1/8th scale engines car runs at a very fast speed, and uses expensive flammable glow fuel for the model engine. Exhaust sound becomes noise sometimes to the other people. Operate the model in the area with safety, no troublesome, no personal injury, no property damage, and no accident.

1. This product is not a toy. It is a high performance model product. It is important to familiarize yourself with the model, its manual, and its construction before assembly and operation. Adult supervision is necessary
2. Always keep this instruction manual handy for your assembling and operation reference, even after completing the assembly
3. This product, its parts and its construction tools can be harmful to your health. Always exercise extreme caution when assembling and or operating this product. Do not touch any moving parts of the model while operating
4. Make sure all the screws are properly tightened and all the parts are checked after running the car for a long period of time
5. Ensure a clean oiled air filter is installed
6. For the best performance, it is important to make sure all the moveable parts work free without binding
7. Do not operated model products in rain, on public roads, near crowds, near airport, or near areas with restricted radio operation
8. Always keep fuel away from heat and open flame. Only operated in open, well-ventilated area. Store fuel in cool, dry area. Keep the fuel bottle cap tightly closed. Clean up any leak or excess fuel before starting the engine
9. Check your radio frequency with the proper operating frequency of the area or country. Always check to see if there area or country. Always check to see if there are any modelers operating on the same frequency as yours. Also check your radio for proper operation before operation a model.

Engine

For proper engine break-in procedure, please refer to the manual of your engine.

Glow Fuel

The engines used for the Hobbytech SPIRIT require glow fuel. To get the proper fuel is very important for long engine life. Improper fuel can cause starting problems, poor performance, and excessive wear on the engines. There are many brands of glow fuel they must meet the following requirements:

1. Only use the GLOW FUEL for radio control models the model shop sells.
2. Please use a popular name brand of the GLOW FUEL
3. Please use the nitro-methane between 10-30 %
4. Avoid fire, direct sunlight, high temperature, near battery and store the fuel in the cool, dry and dark places out of childrens reach
5. Do not leave the fuel in the fuel pump and the fuel tank. There is danger that fuel leaks
6. Remove the fuel cap and throw the empty fuel can away.

Radio system

In order to run your Hobbytech SPIRIT without any loss of control. Please make sure you have checked the following requirements (without the engine running).

1. It is important that all the batteries are fresh or fully charged
2. Always check the path and the condition of the battery pack wires as well as the switch wires. A broken wire can cause a short circuit and lead to a loss of control
3. Turn on the transmitter, and then turn on the car receiver battery pack switch to check if the steering and the throttle servos movement
4. Turn the steering wheel on the transmitter left and right. The front wheels should turn left and right (when viewed from behind). Use the steering trim adjustment to set the neutral (wheels pointing straight ahead) setting on your car. If your servos move very very slow, check your batteries
5. Pull the throttle trigger, the carburetor should open on the engine. Push the throttle trigger open and forward. This will activate the brakes. Please use the throttle trim adjustment to set the neutral setting on your car.
6. Hold the throttle open and roll the car on the ground. The car should roll freely. While it is still rolling, push on the brakes. The car should come to an immediate stop. If there steps do not produce these results, please refer to the linkage assembly steps in this manual.

First Aid

Please read the following subject with attention:

1. If you drink nitro fuel by accident, immediately drink large quantities of water and try to induce vomiting. Consult with your Physician right after then
2. If the nitro fuel gets into your eyes, rinse them well with water. Consult with Physician right after then.
3. If the fuel gets into your skin, wash it well with soap and water.

Completly Spirit Screw Set: item STRX-092

Round Head Screw

- R/H 3x8
- R/H 3x10
- R/H 3x12
- R/H 3x16
- R/H 3x18
- R/H 3x20
- R/H 3x23
- R/H 4x10
- R/H 4x16

Flat Head Screw

- F/H 3x6
- F/H 3x8
- F/H 3x10
- F/H 3x14
- F/H 3x25
- F/H 4x8
- F/H 4x16

Set Screw

- M 3x3
- M 3x5
- M 4x4
- M 5x4
- M 5x5
- M 3x12
- M 4x8

Cap Head

- M 2.5x6
- M 3x10
- M 2.5x8

Nylon Lock Nuts

- M 4
- M 3
- M 2.5

Washers/Shims

- 2.5x5x0.3mm
- 3x4.9x0.2mm
- 3x8x0.8mm
- 3.6x12x0.2mm
- 5x8x0.2mm
- 13x16x0.2mm
- 6x12x0.2mm

O-Ring

- 3.5 x 2 mm
- 6 x 1.5 mm
- 15 x 1 mm
- 16 x 1.2 mm
- 17 x 1.2 mm

Ball Bearing

- 5x8x4 mm
- 4x8x2.5 Flanged
- 5x8x2.5 Flanged
- 6x10x3 mm
- 8x14x4 mm
- 8x16x5 mm
- 12x18x4 mm

Pin

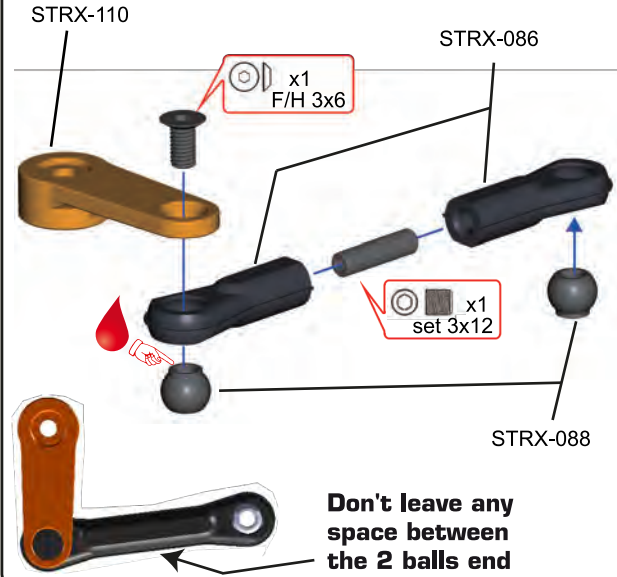
- 2.5 x 14 mm
- 2.5 x 11.8 mm
- 2 x 10 mm
- 3 x 16.8 mm

Detail Icon

- Use Thread Lock
- Transmission Grease
- Silicon Oil
- Air Filter Oil

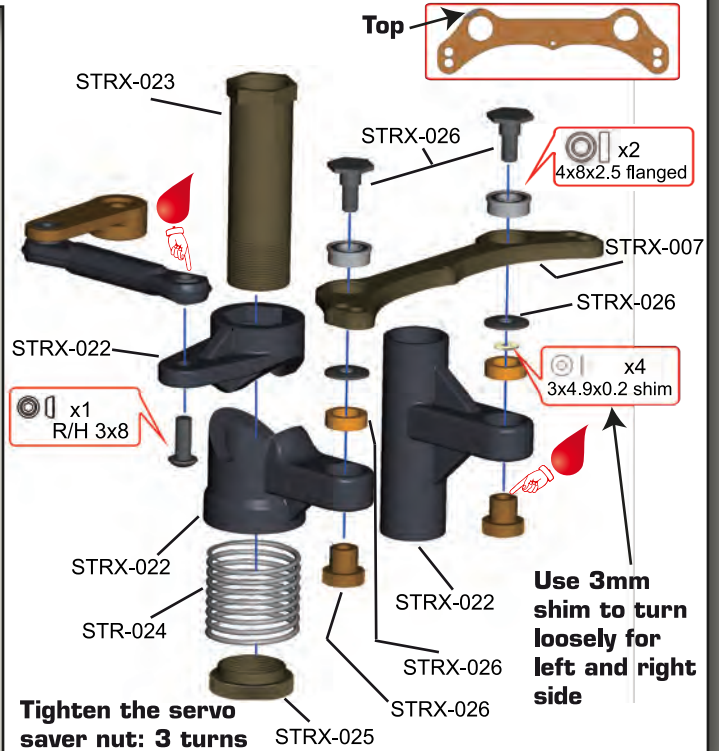
Step A-01

Steering Linkage



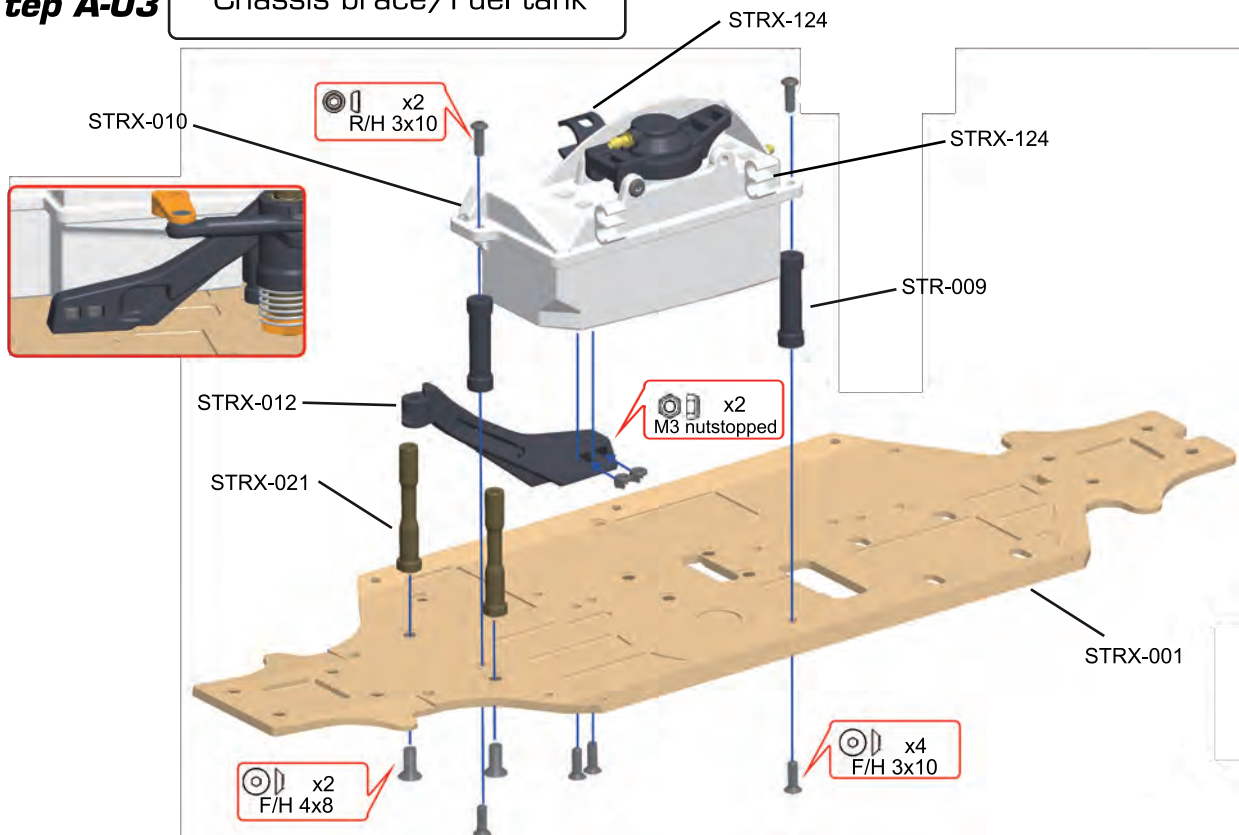
Step A-02

Servo Saver Assembly

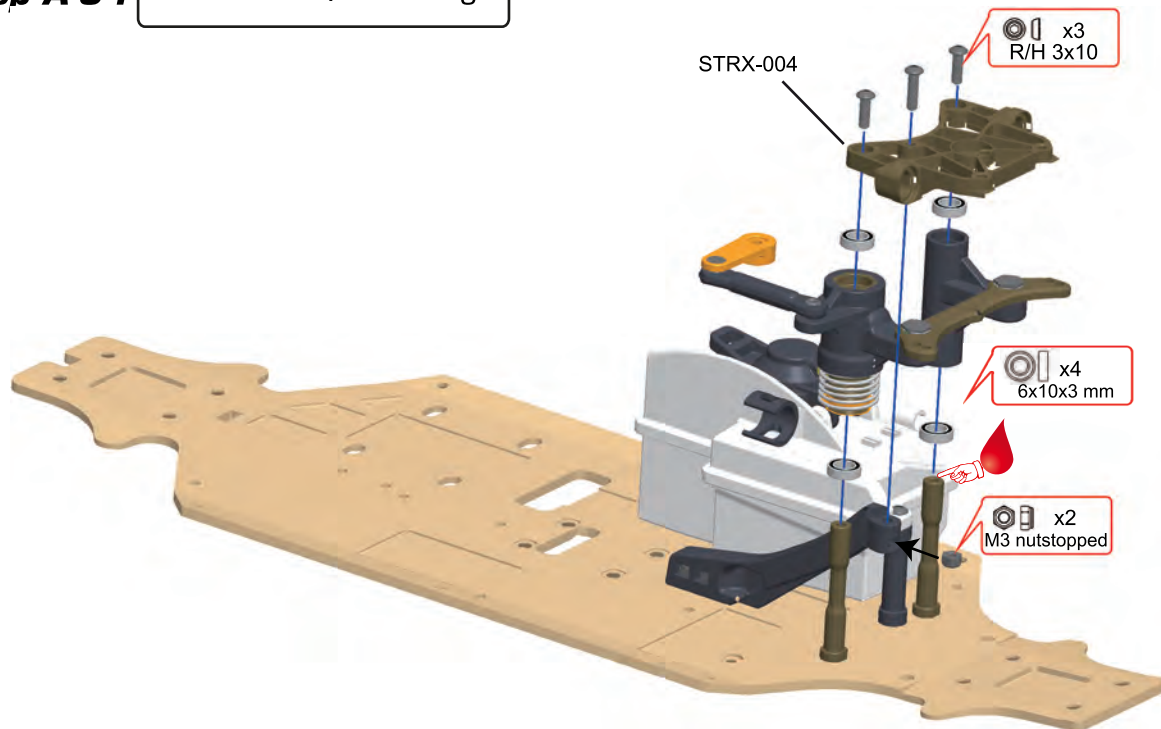


Step A-03

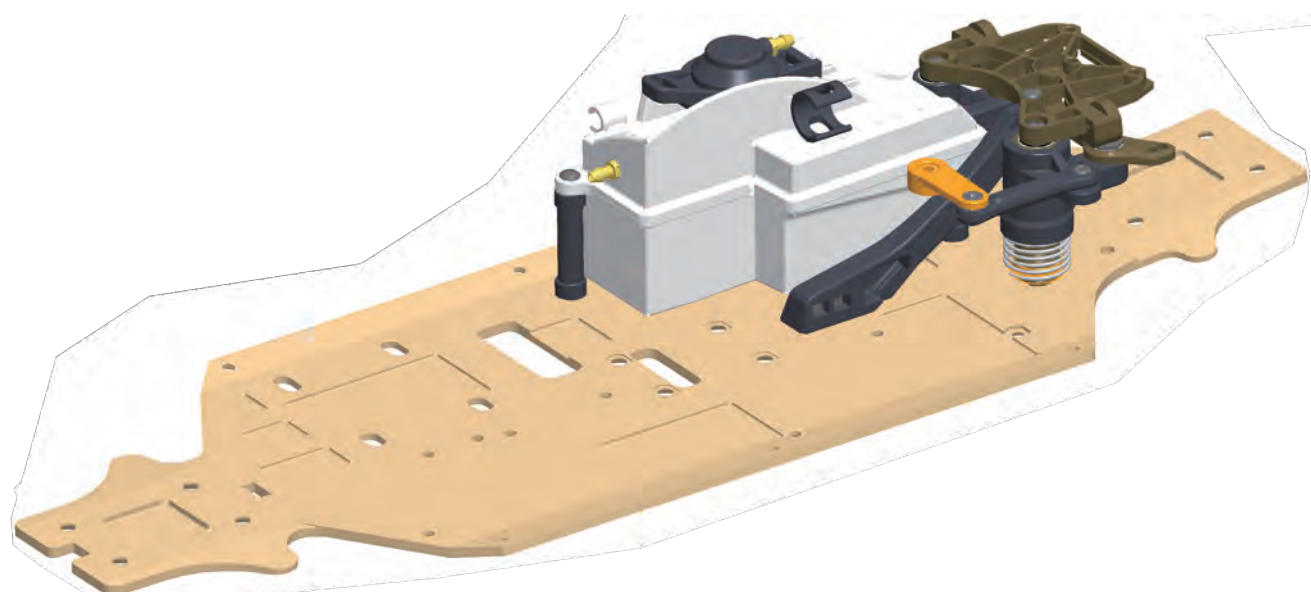
Chassis brace/Fuel tank



Step A-04 Front Plate/Steering



Step A-05 Steering and Fuel Tank Assembly



Step B-03 Front Differential

Step B-01 Bevel Gear

8x16x5mm x1

2.5x11.8mm x1

STRX-070

STRS-119

STR-071

6x12x0.2mm x1

STR-078

Silicone oil
Fill just over gear

Note: Check in the Basic Setup Sheet for use the correctly silicon oil grade

Step B-02 Differential Case

STRX-070

2.5x11.8mm x1

8x16x5mm x1

STRX-069

STR-078

6x12x0.2mm x1

STR-079

STR-077

STR-076

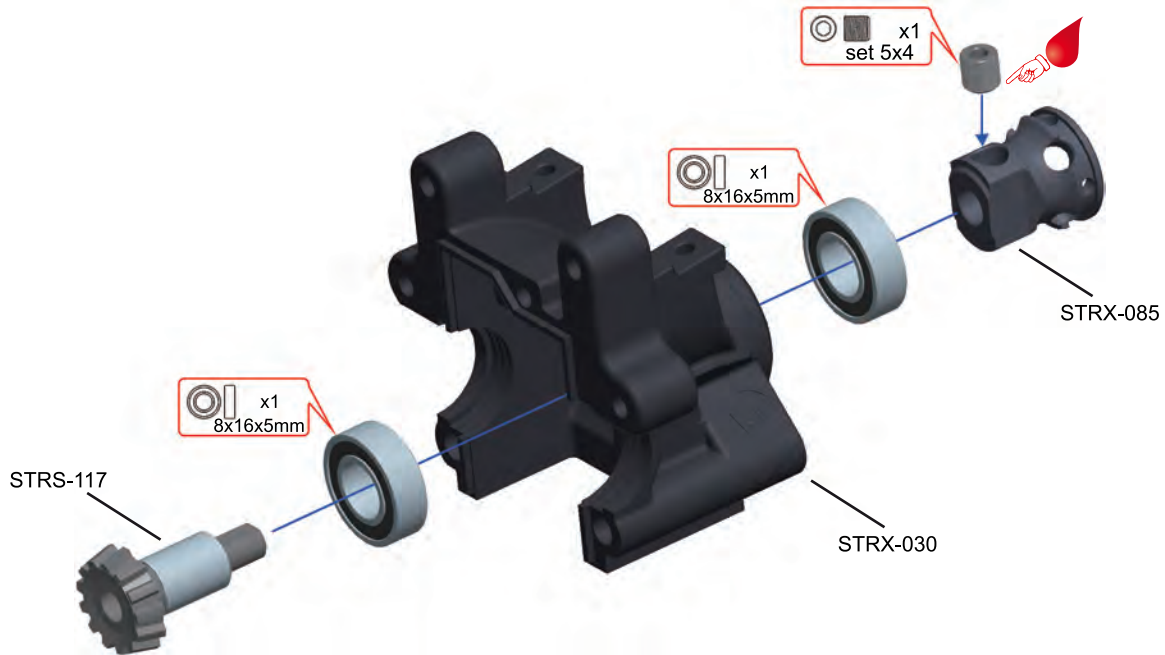
F/H 3x10 x4

3.6x12x0.2mm x4

Tighten the 4 differential screw in the cross order

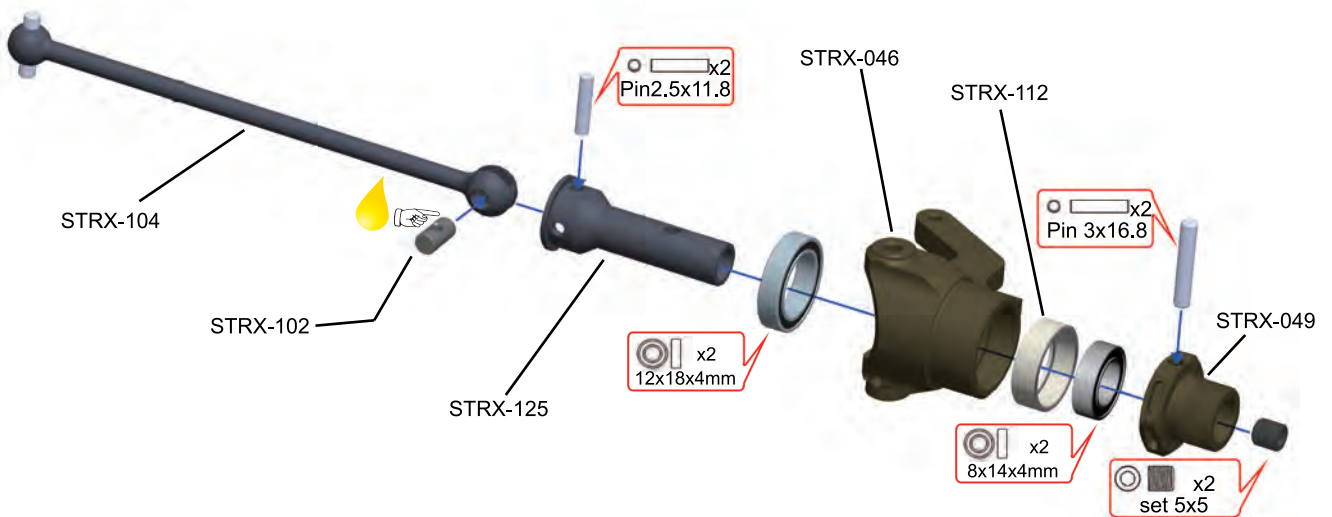
Step B-04

Front Small Bevel Gear



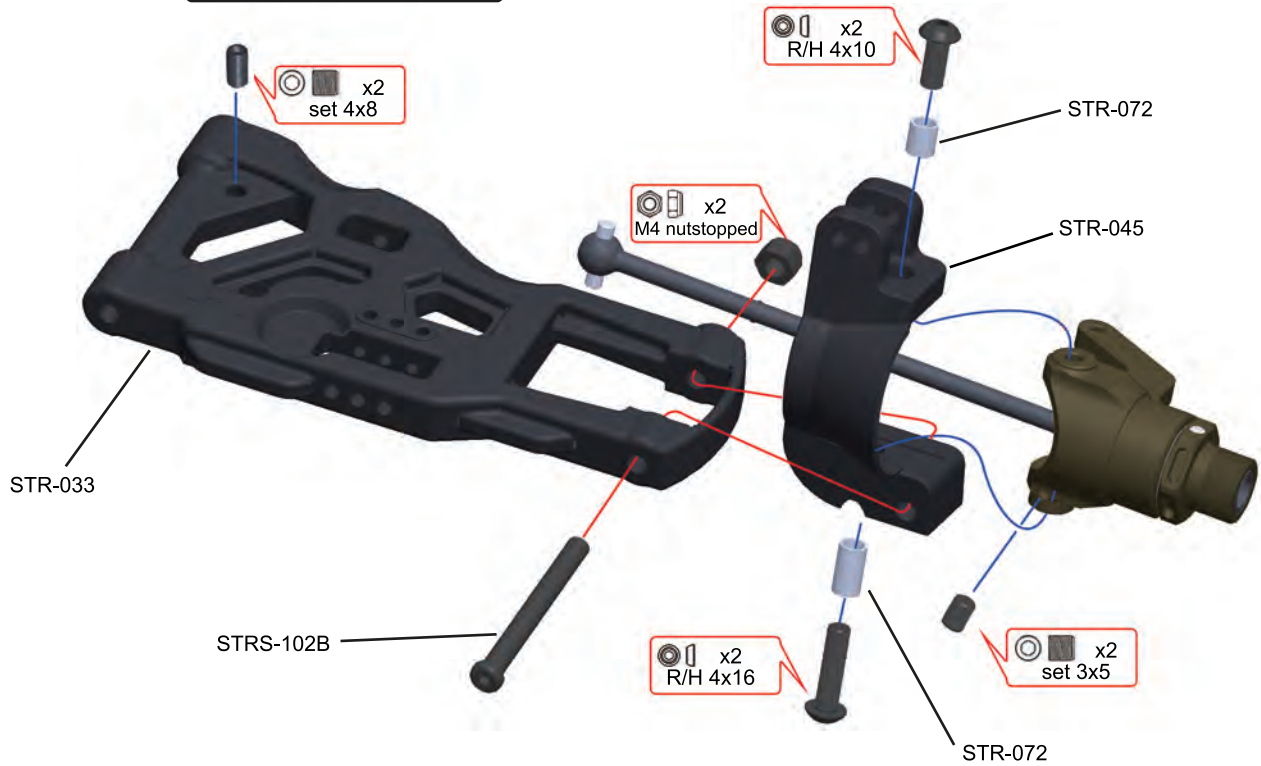
Step B-05

Front Steering Knuckle/Front Drive Shaft



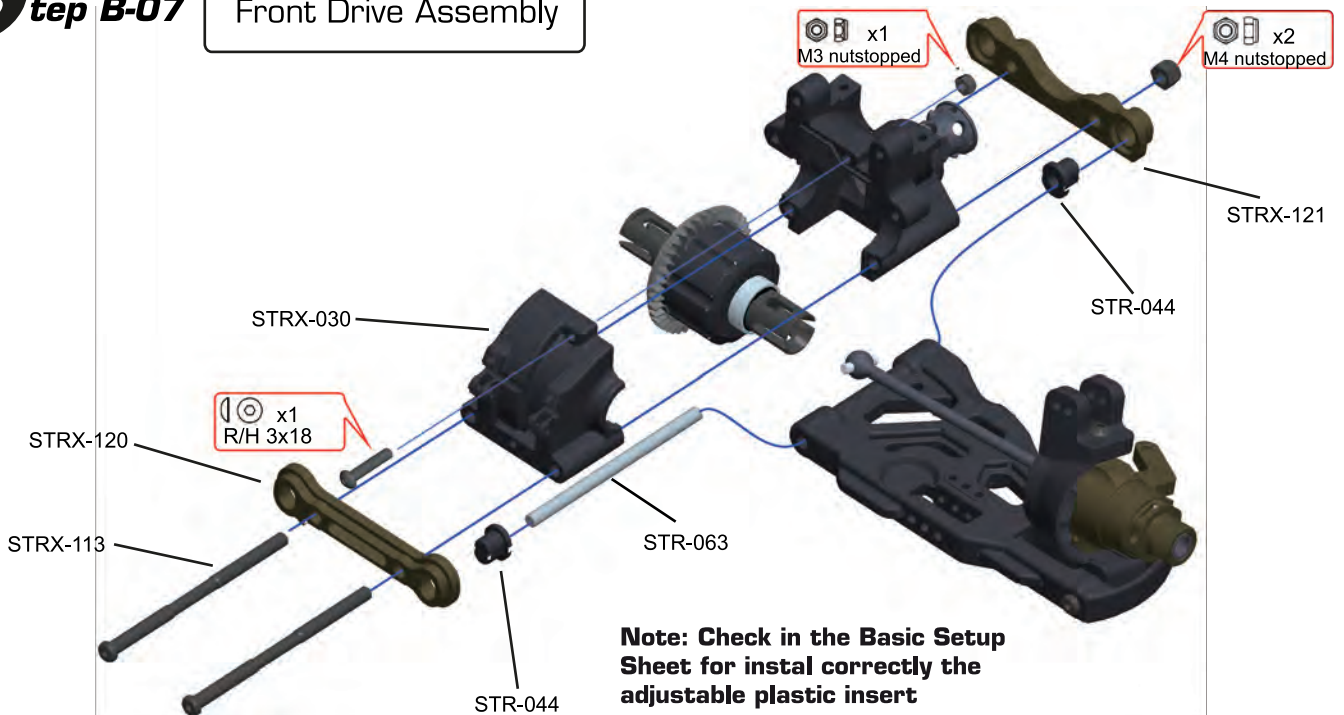
Step B-06

Front Lower Arm



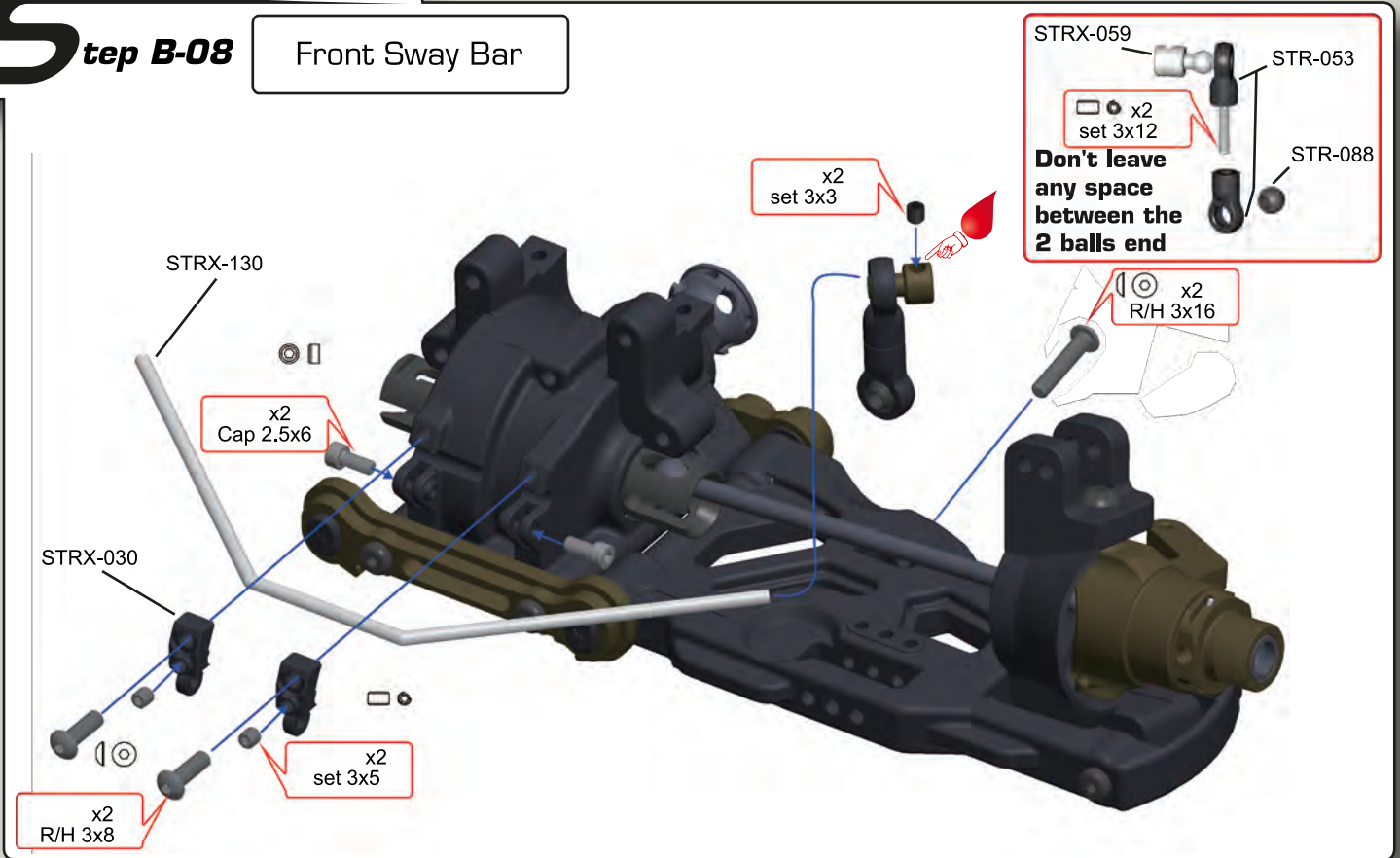
Step B-07

Front Drive Assembly



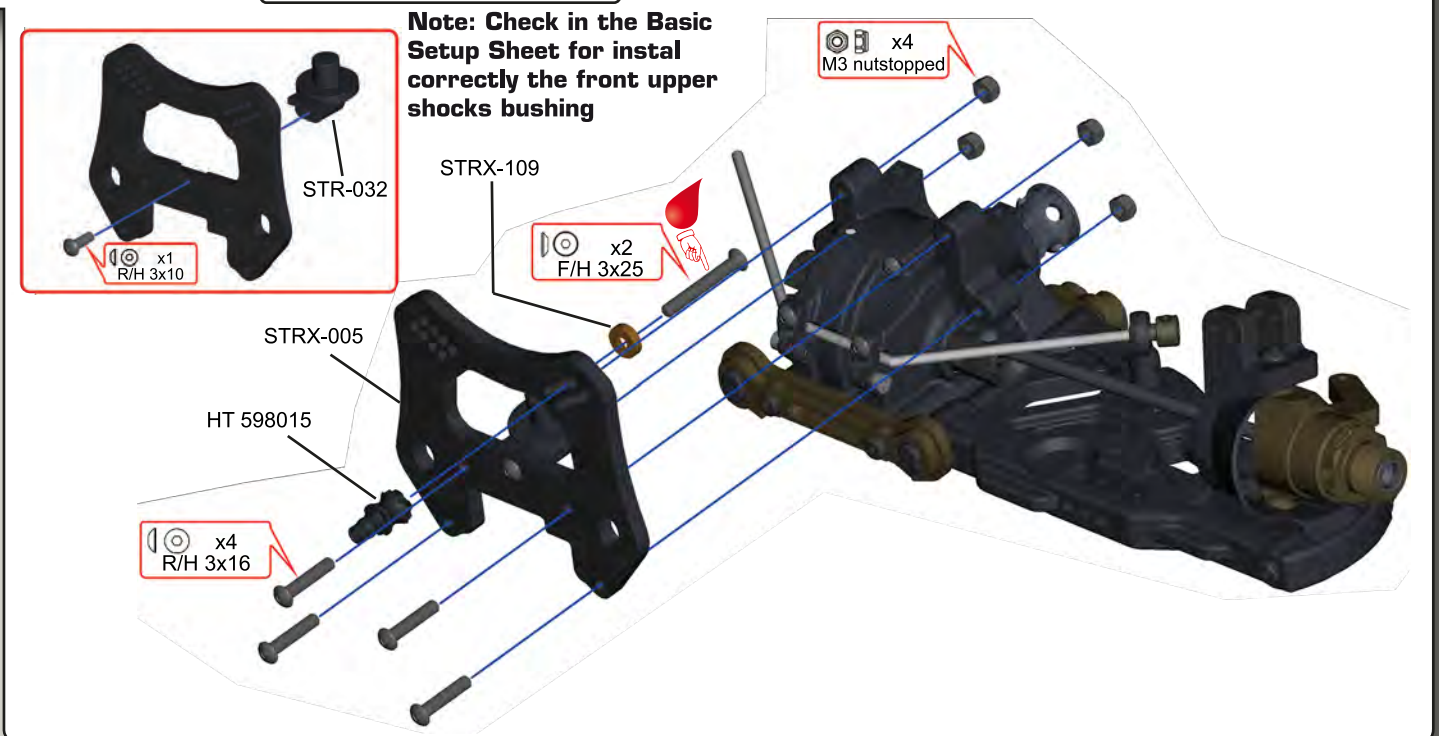
Step B-08

Front Sway Bar

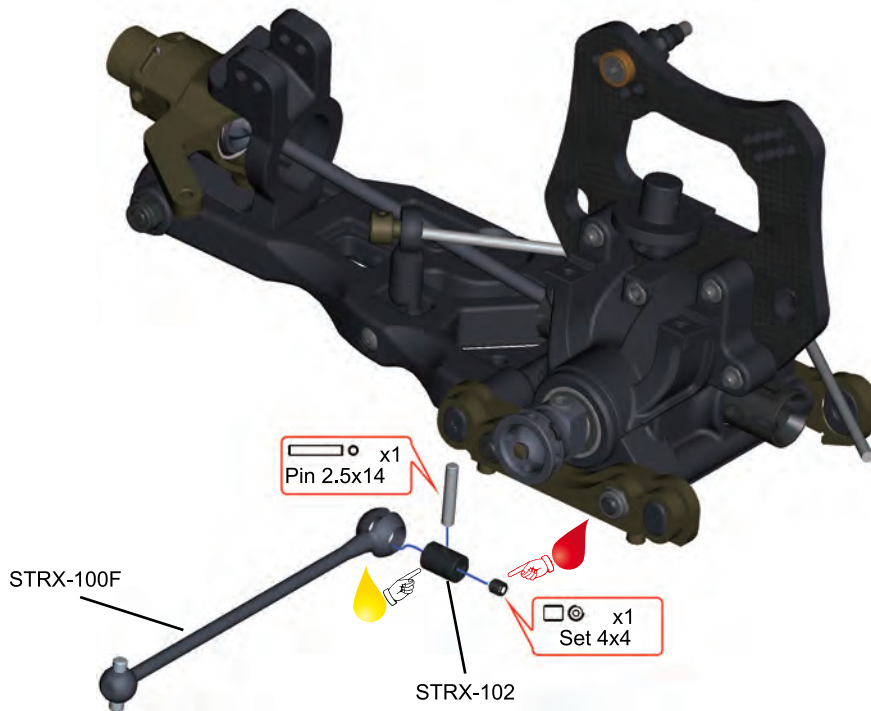


Step B-09

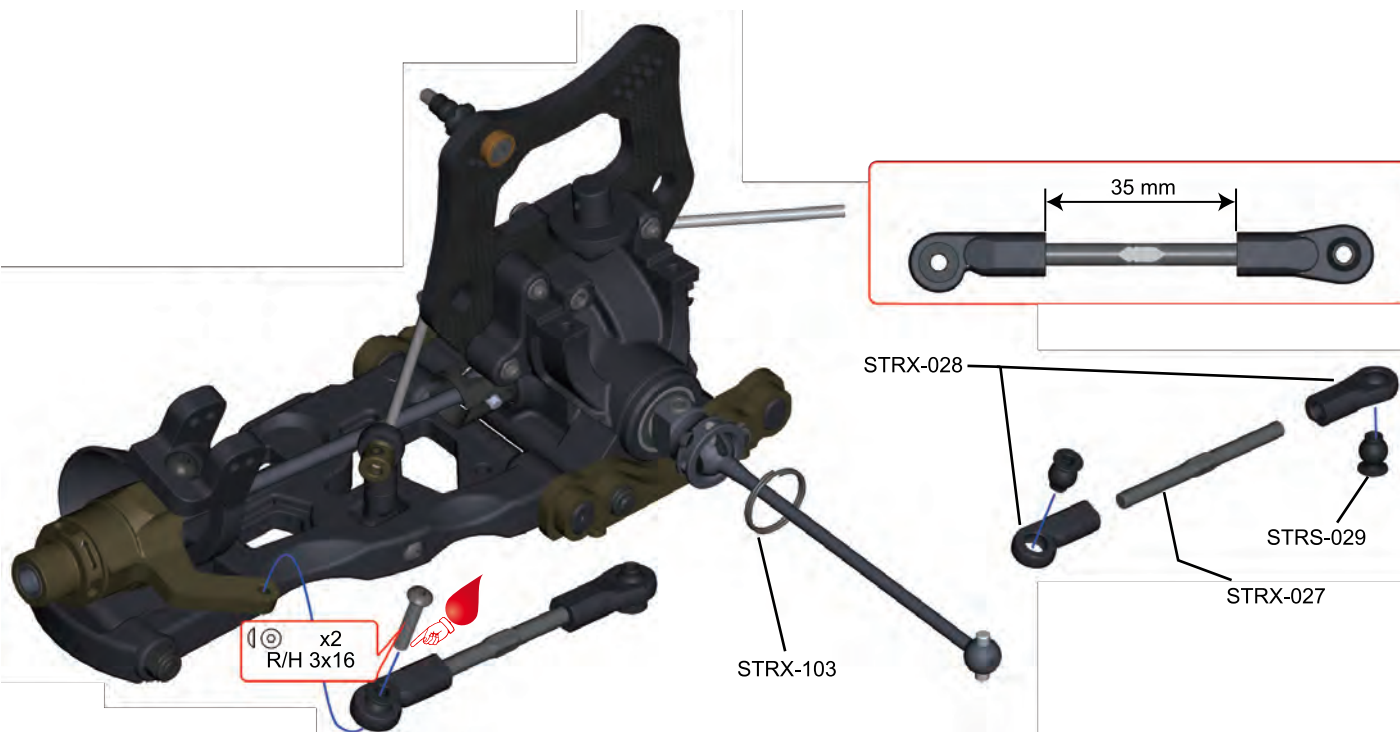
Front Shock Tower



Step B-10 Front Center Drive Shaft

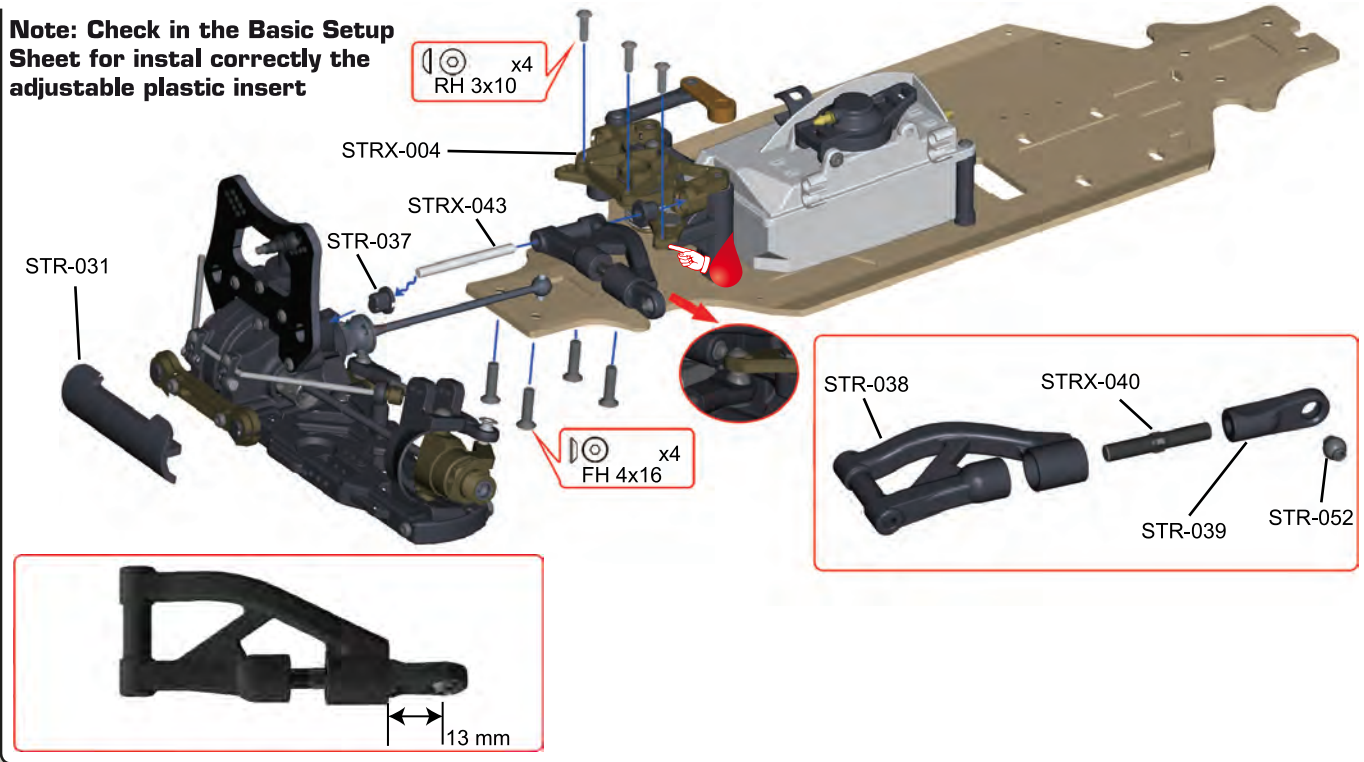


Step B-11 Steering Rod



Step B-12 Front Drive Assembly

Note: Check in the Basic Setup Sheet for instal correctly the adjustable plastic insert



Note: When you have assembly the front drive, it is possible that the plastic steering arm (STRX-022) is rubbing against the gear case. You will need to cut off part of the plastic steering arm for obtain steering correctly works

Step B-11 Completed Front Assembly



Step C-03 Center Differential

Step C-01 Spur Gear

STRX-071

STRS-120

STR-071

STR-078

x1 8x16x5mm

x1 2.5x11.8mm

x1 6x12x0.2mm



Silicone oil
Fill just over gear

Note: Check in the Basic Setup Sheet for use the correctly silicon oil grade

Step C-02 Differential Case

STR-078

STR-071

STRX-069

STRX-071

x1 2.5x11.8mm

x1 6x12x0.2mm

x1 8x16x5mm

STR-079

STR-076

STR-077

x4 F/H 3x10

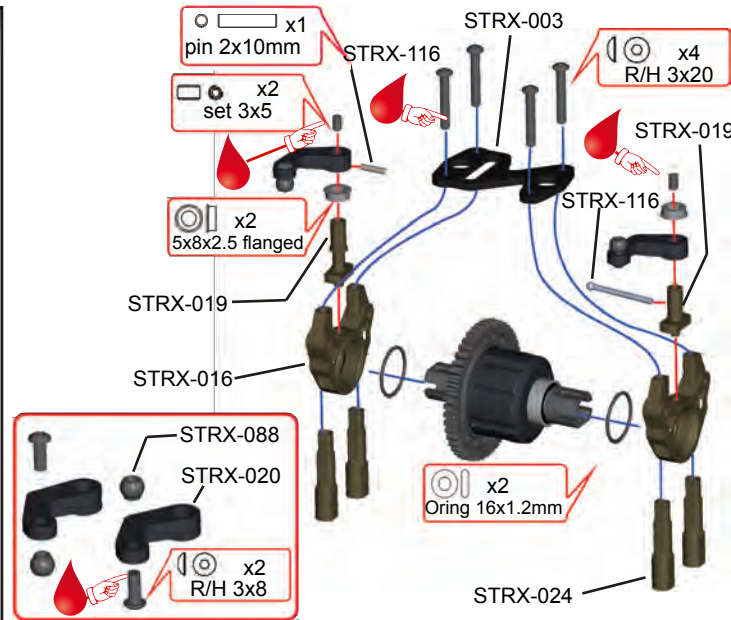
x4 3.6x12x0.2mm



Tighten the 4 differential screw in the cross order

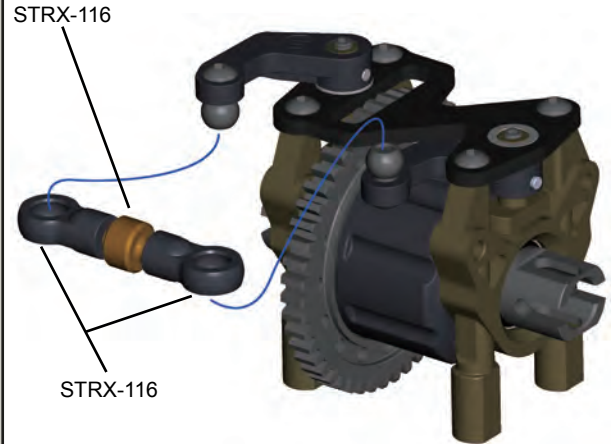
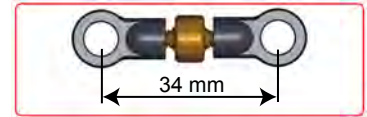
Step C-04

Center Diff Mount



Step C-05

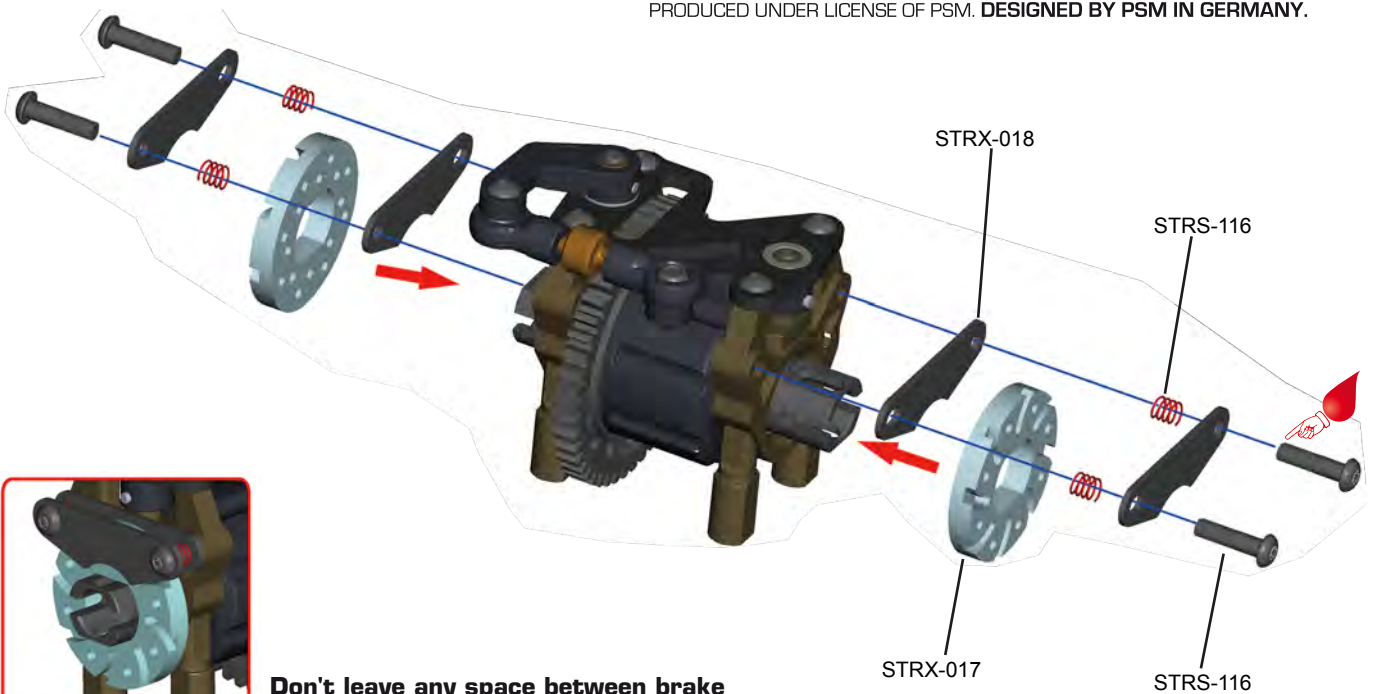
Brake Tie Rod



Step C-06

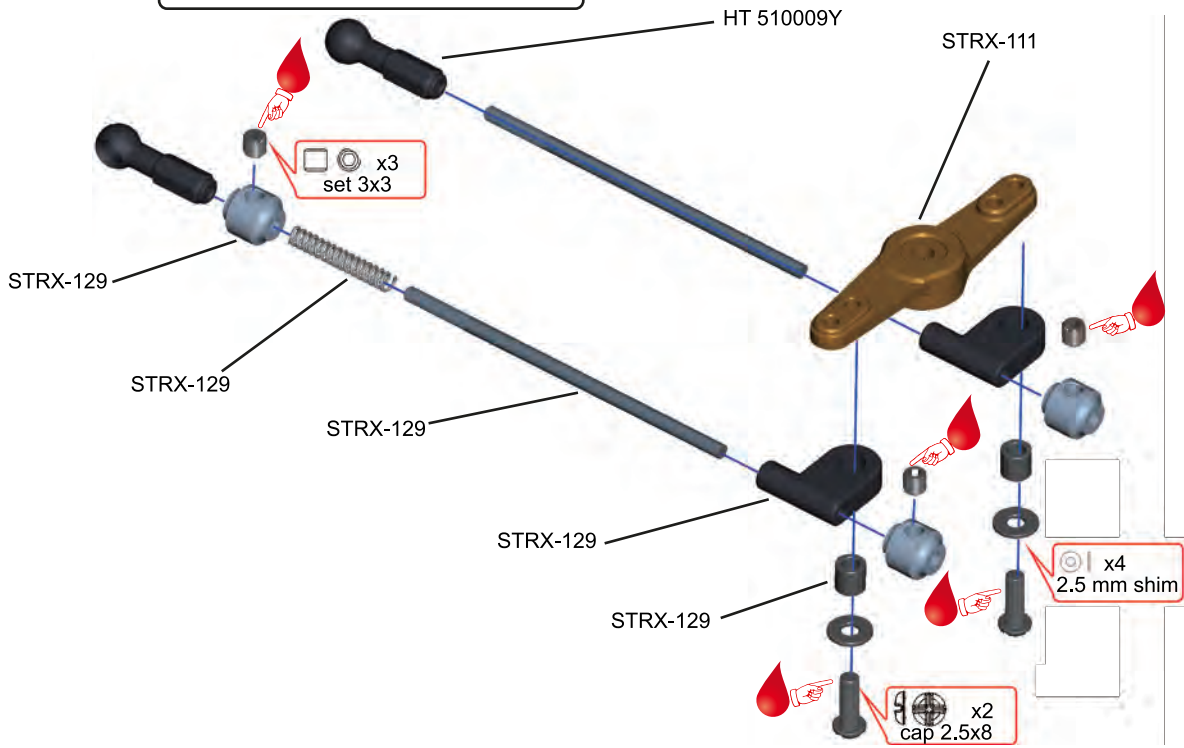
Brake System

PSM **VX2-VENTILATE**
OPTION PARTS & ACCESSORIES **EPOXY BRAKE DISC**
PRODUCED UNDER LICENSE OF PSM. DESIGNED BY PSM IN GERMANY.

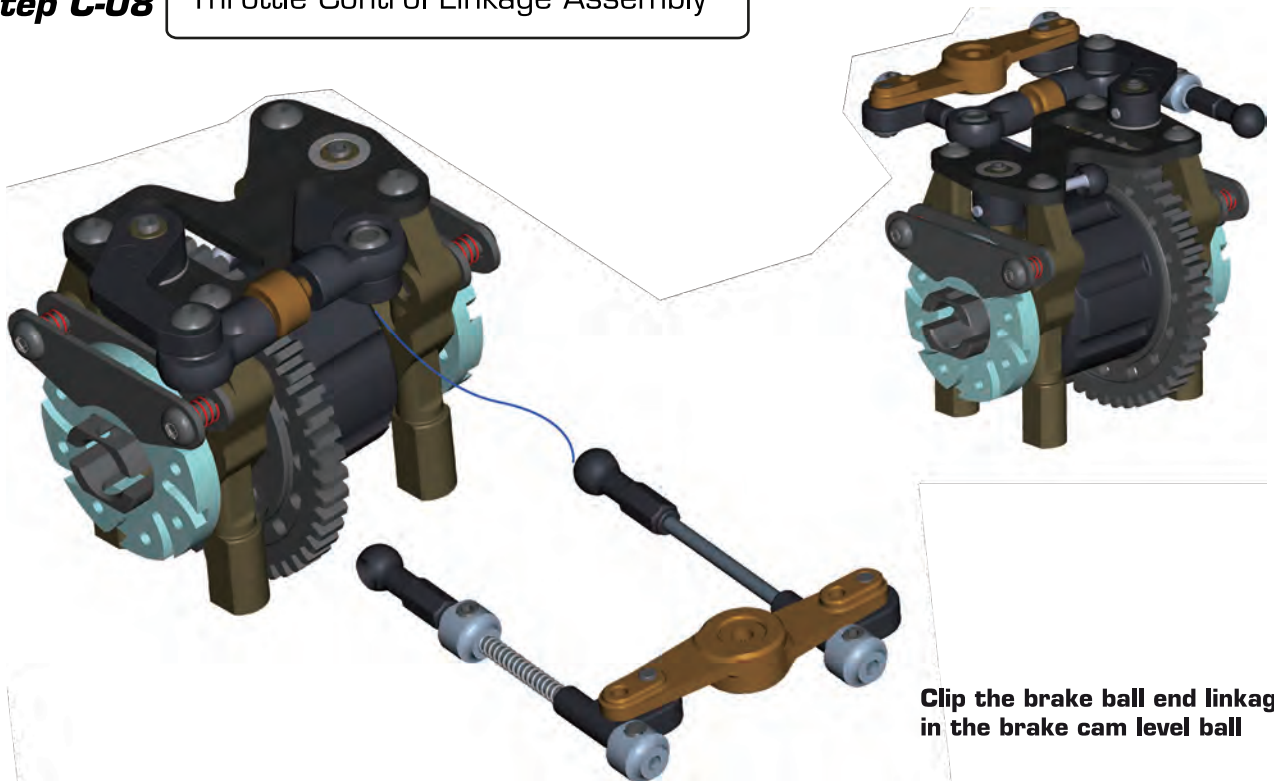


Don't leave any space between brake screw and the differential mount

Step C-07 Throttle Control Linkage

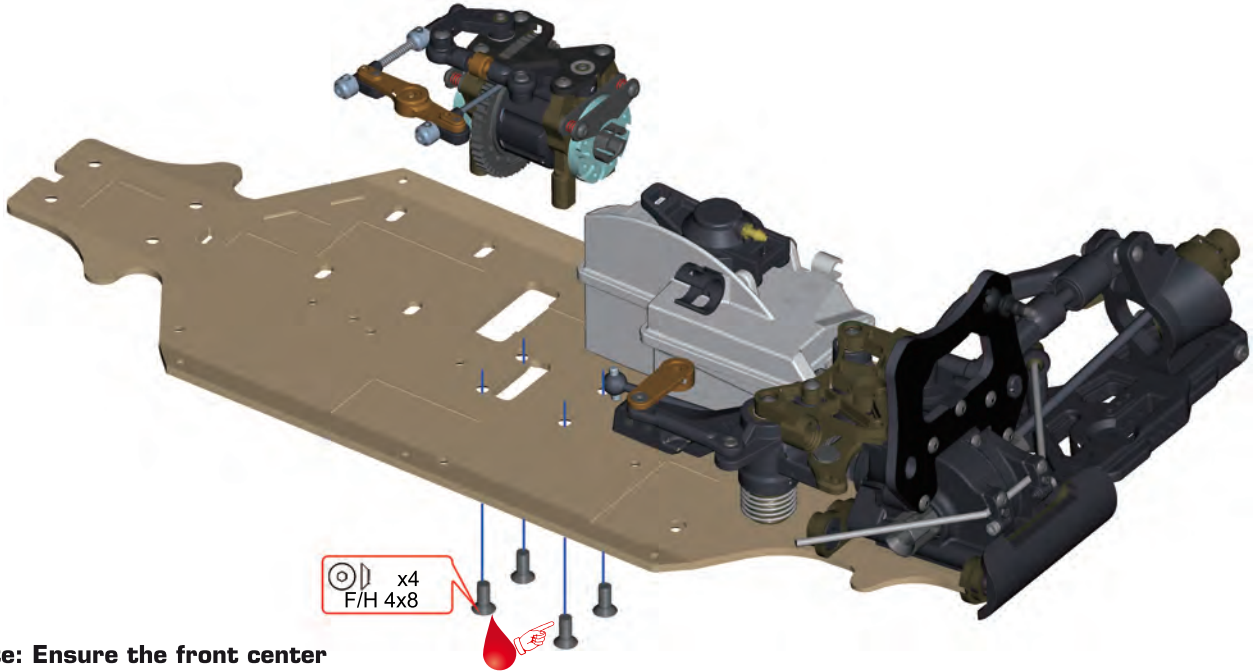


Step C-08 Throttle Control Linkage Assembly



Step C-09

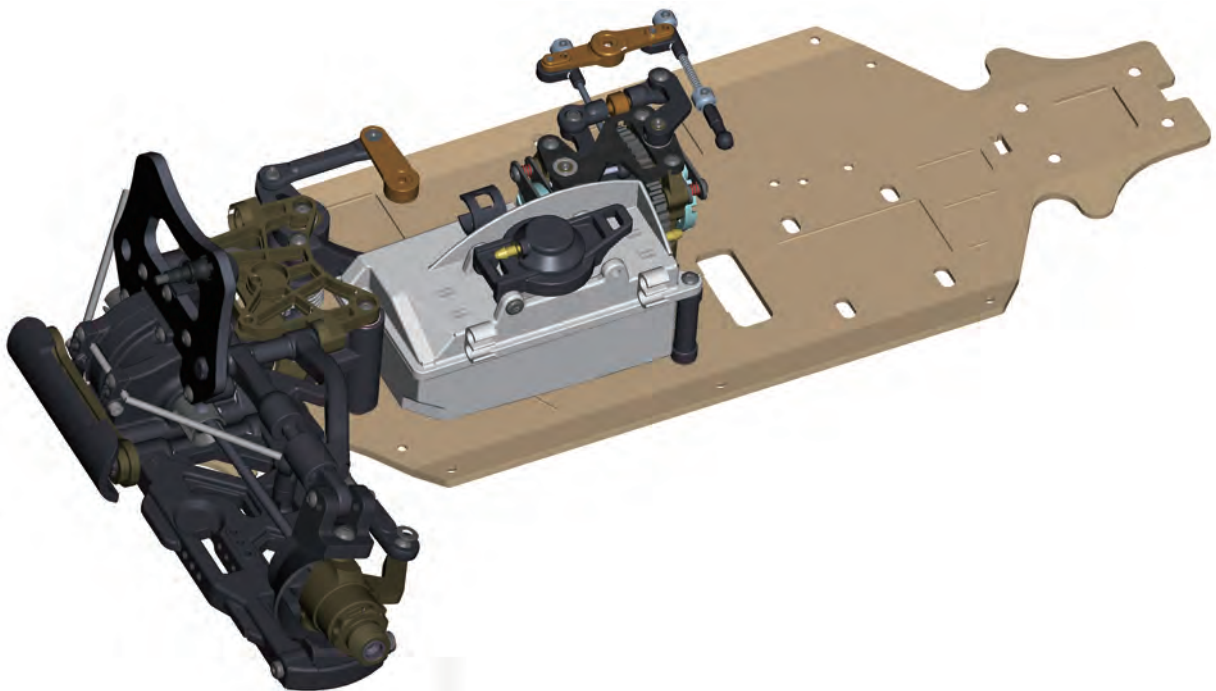
Center Differential Mounting



Note: Ensure the front center drive before assembly the center differential

Step C-010

Completed Center Assembly



Step D-01 Bevel Gear

STRX-070

STRS-119

STR-071

STR-078

x1 8x16x5mm

x1 2.5x11.8mm

x1 6x12x0.2mm

Step D-02 Differential Case

STRX-070

STRX-069

STR-078

x1 8x16x5mm

x1 2.5x11.8mm

x1 6x12x0.2mm

Step D-03 Rear Differential

STR-079

STR-077

STR-076

x4 F/H 3x10

x4 3.6x12x0.2mm

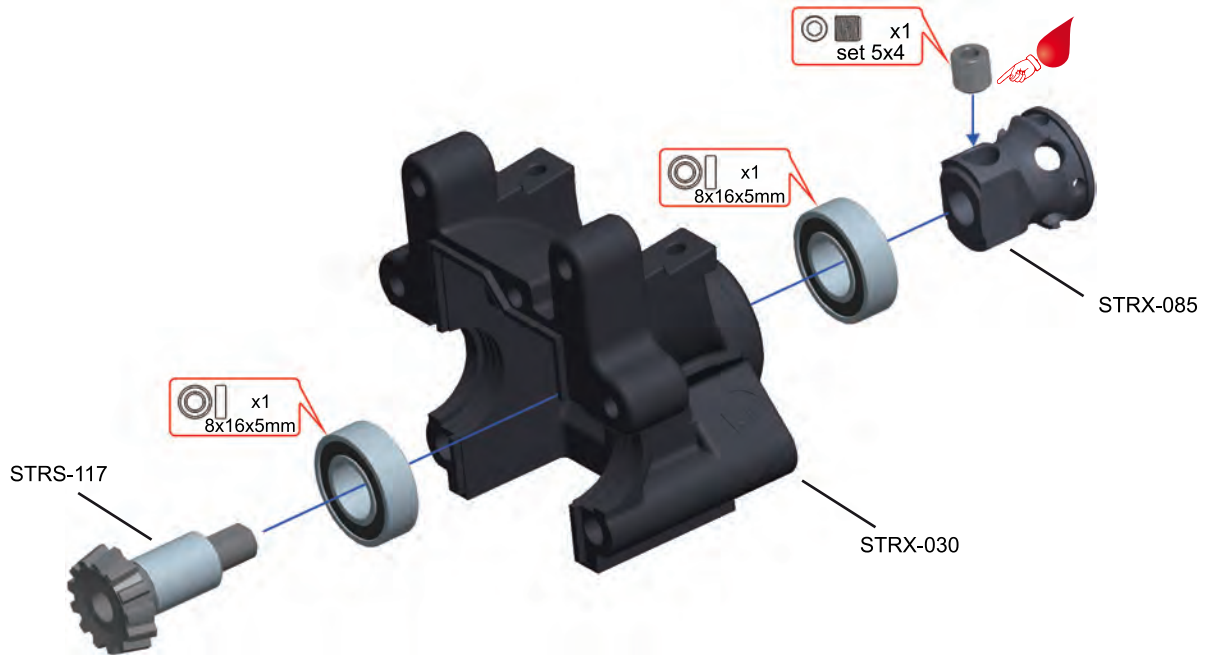
Tighten the 4 differential screw in the cross order

Silicone oil
Fill just over gear

Note: Check in the Basic Setup Sheet for use the correctly silicon oil grade

Step D-04

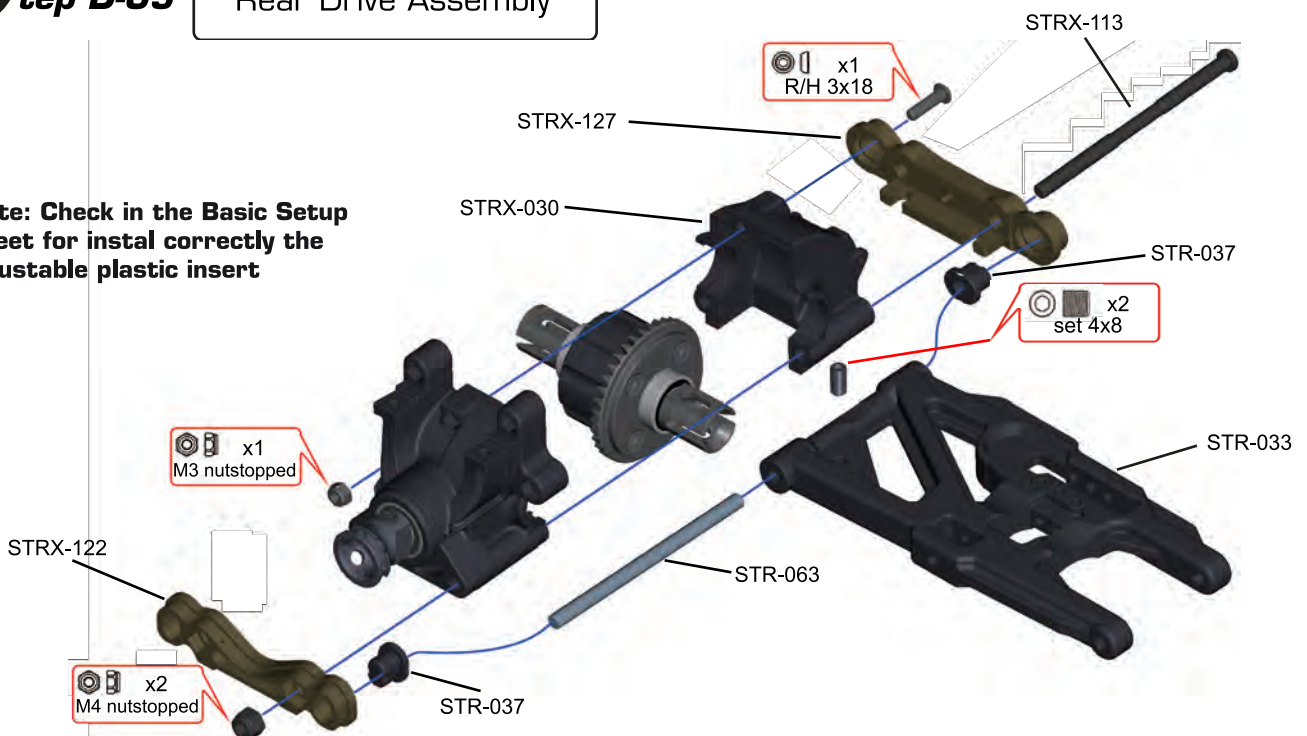
Rear Small Bevel Gear



Step D-05

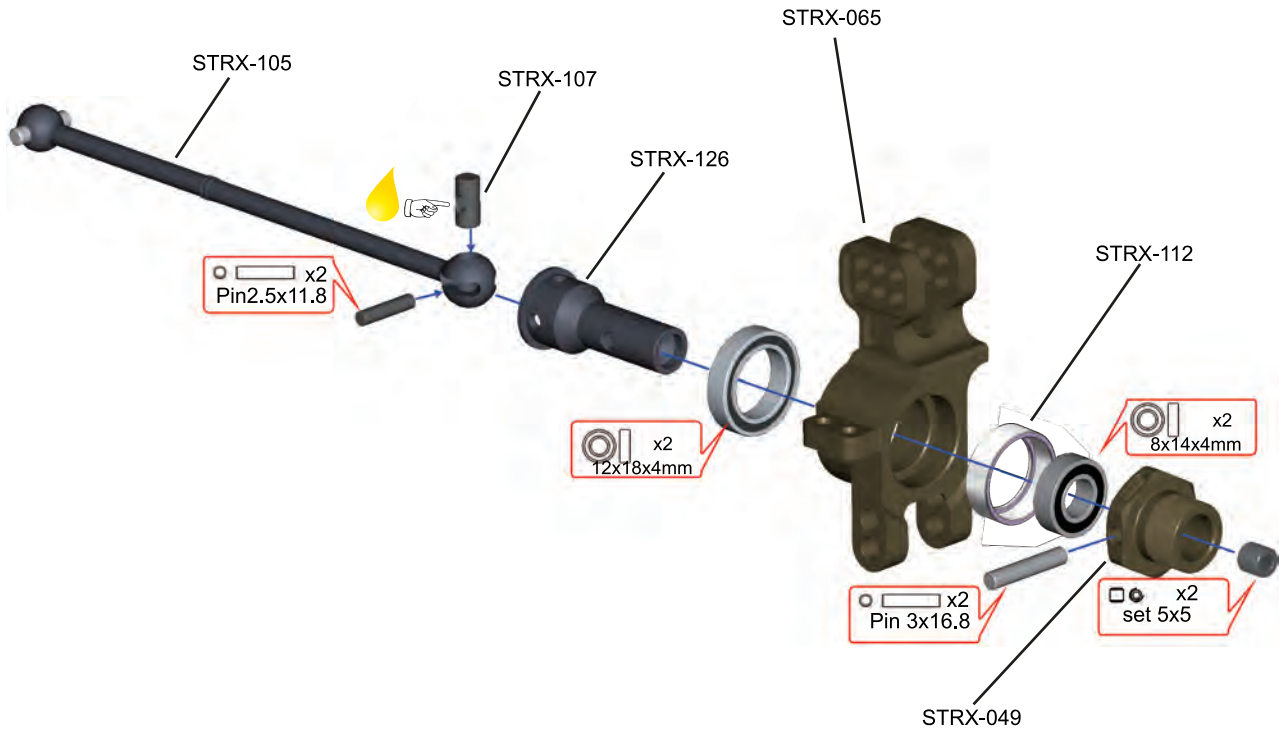
Rear Drive Assembly

Note: Check in the Basic Setup Sheet for instal correctly the adjustable plastic insert



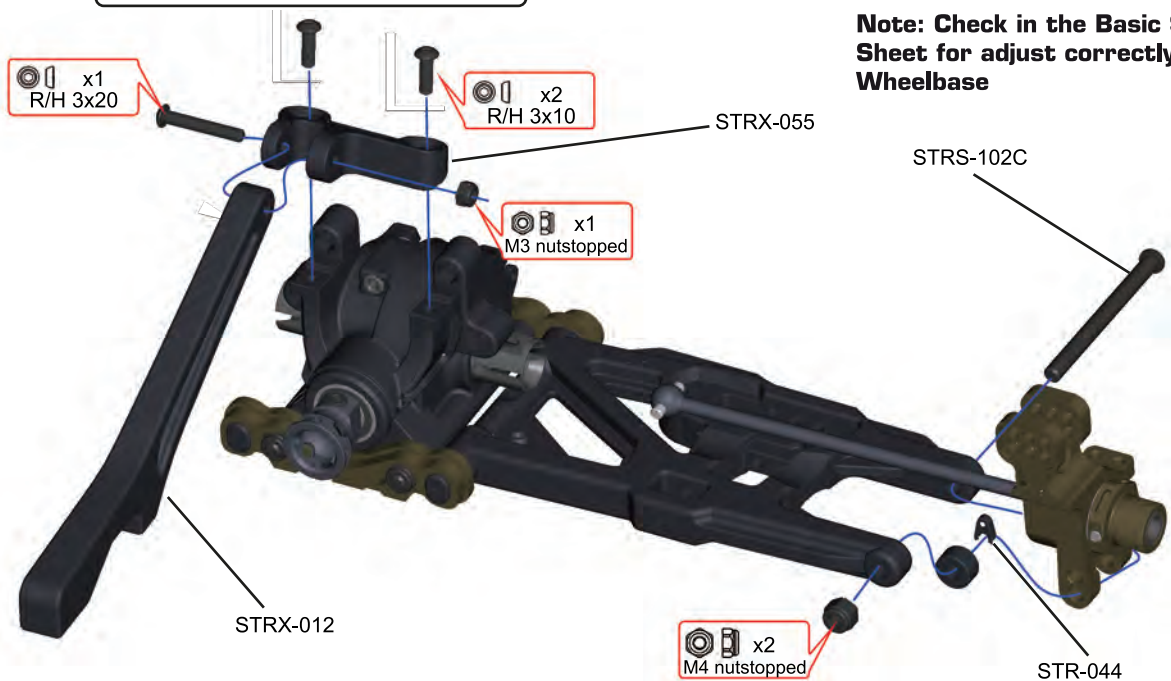
Step D-06

Rear C-Hub/Rear Drive Shaft



Step D-07

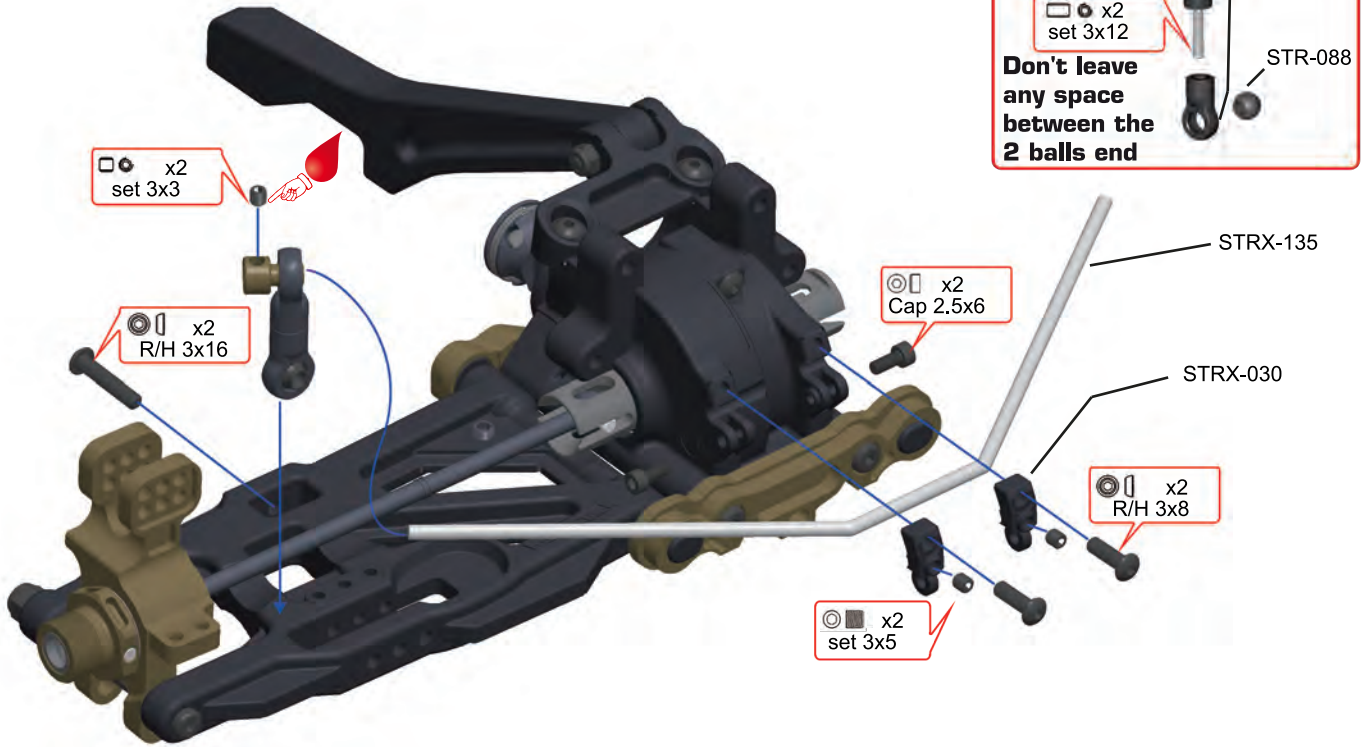
Rear C-Hub/Rear Brace



Note: Check in the Basic Setup Sheet for adjust correctly the Wheelbase

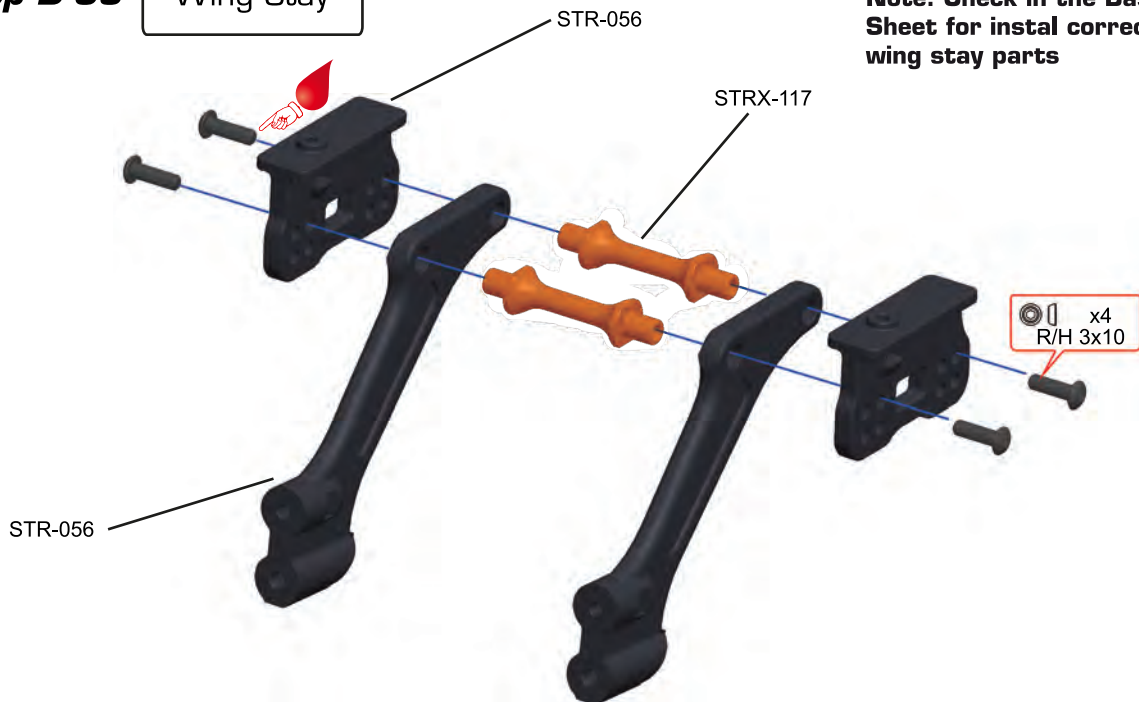
Step D-08

Rear Sway Bar



Step D-09

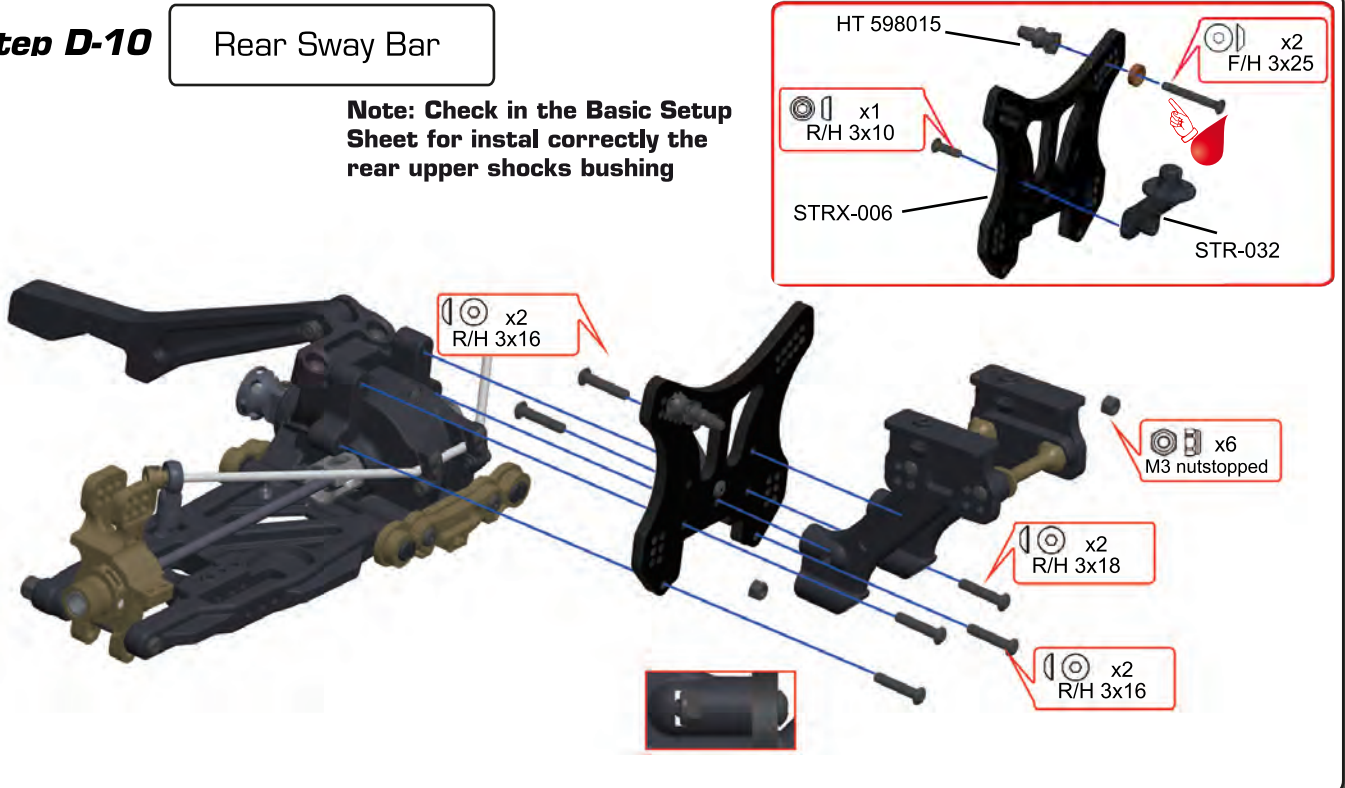
Wing Stay



Step D-10

Rear Sway Bar

Note: Check in the Basic Setup Sheet for instal correctly the rear upper shocks bushing



Step D-11

Rear Upper Tie-Rod



Note: Check in the Basic Setup Sheet for instal correctly the rear upper tie-rod

Step D-12 Rear Center Drive Shaft



STRX-103

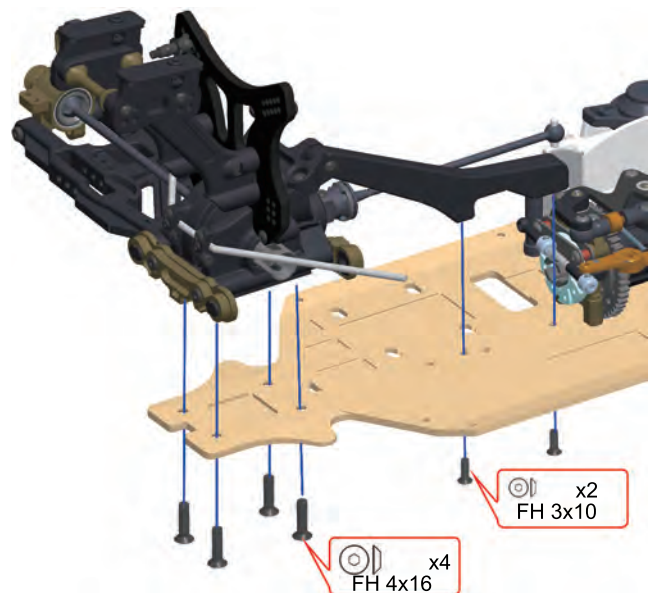
STRX-100R

STRX-102

Pin 2.5x14 x1

Set 4x4 x1

Step D-13 Rear Drive Assembly

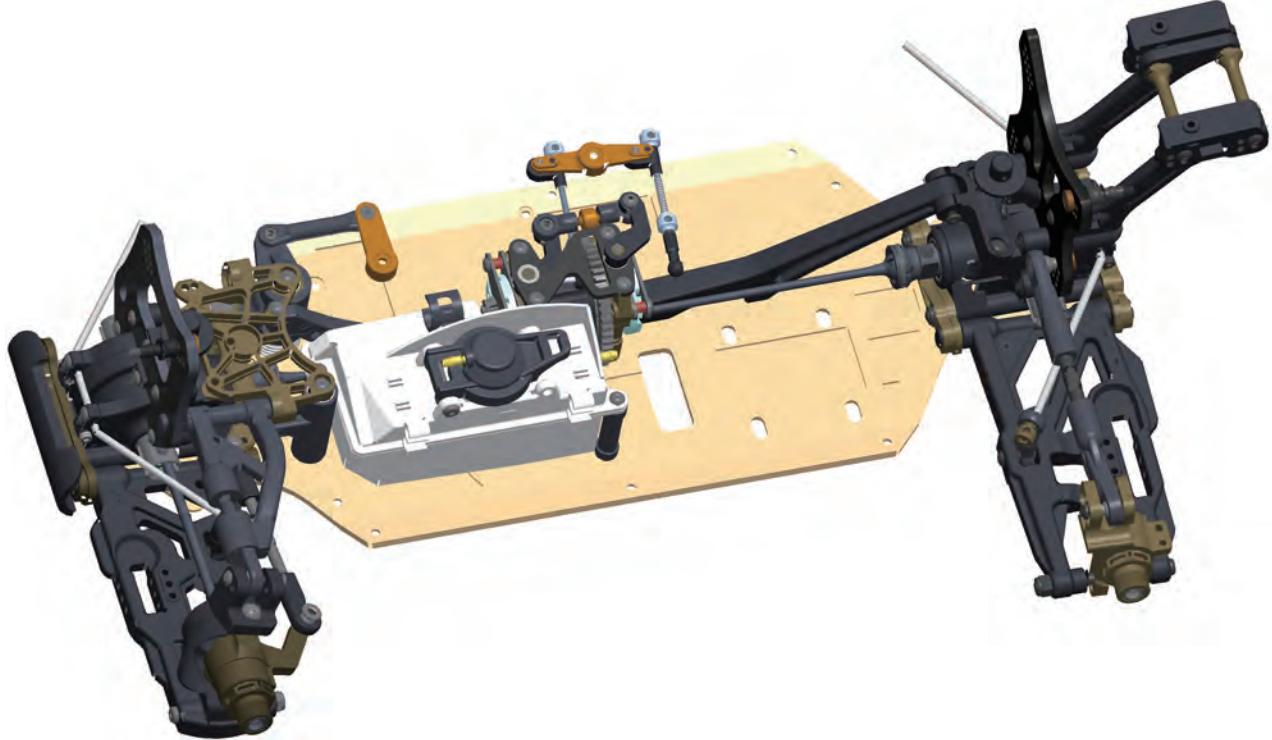


FH 4x16 x4

FH 3x10 x2

Note: Ensure the rear center drive before assembly the rear drive

Step D-14 Completed Rear Assembly

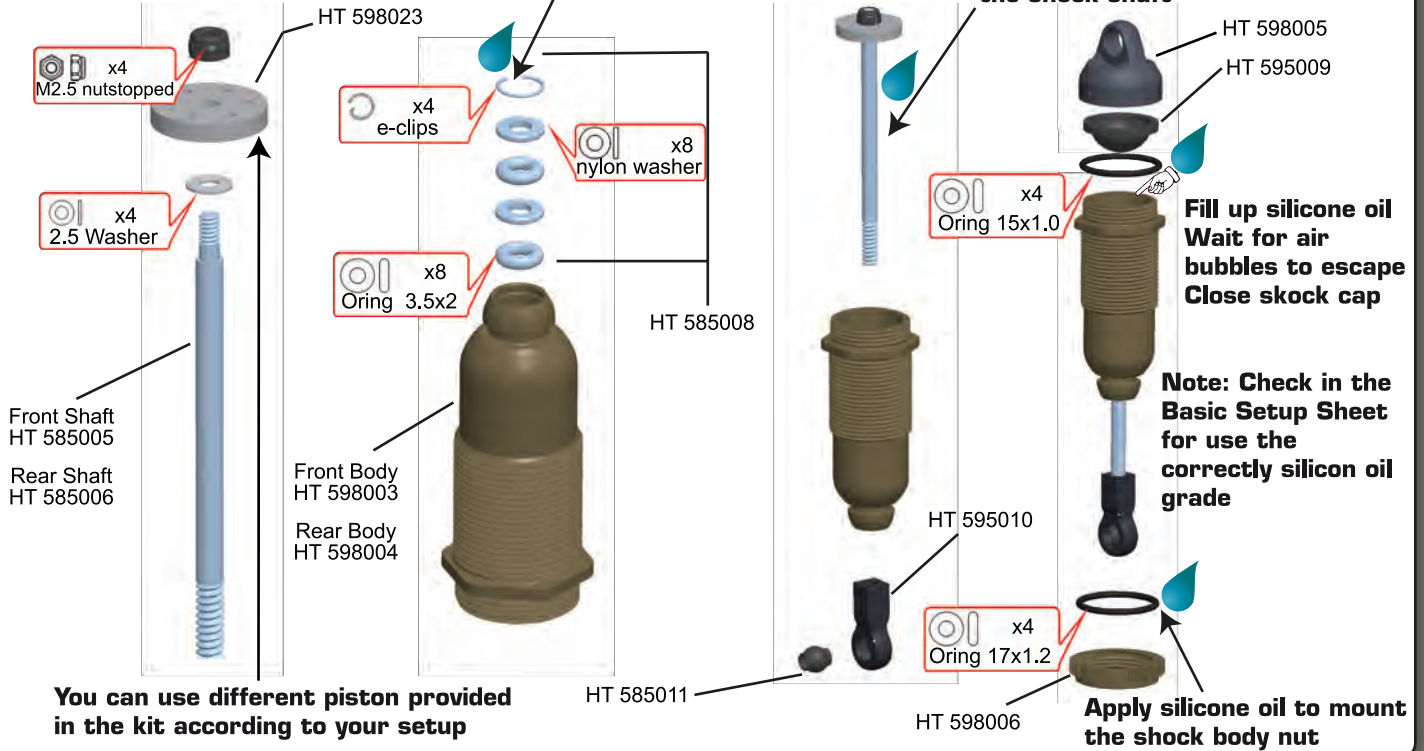


Step E-01

Front/Rear Shocks

Apply silicone oil to assemble the o-rings

Apply silicone oil to assemble the shock shaft

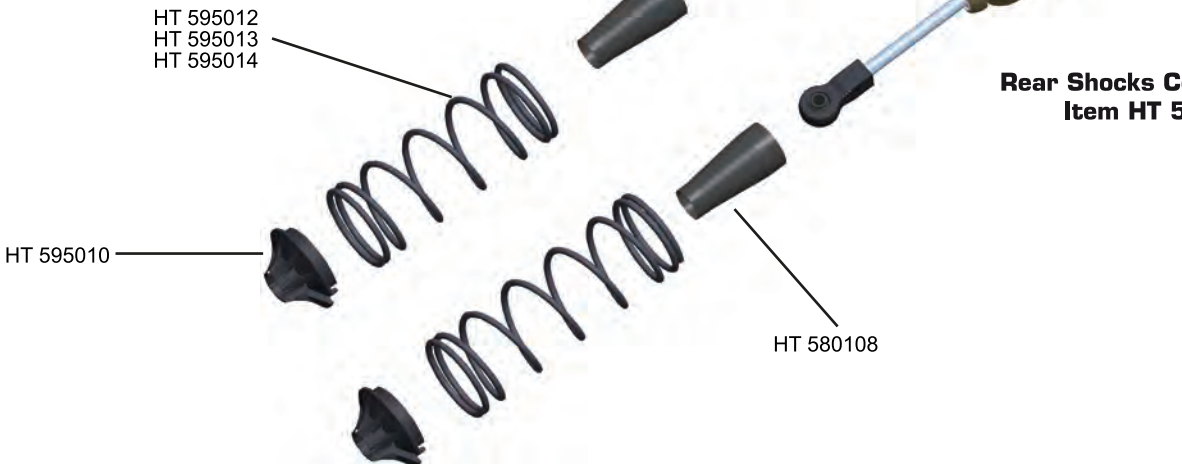


Step E-02

Shock Boot/ Shock Spring

Front Shocks Completly Set:
Item HT 598001

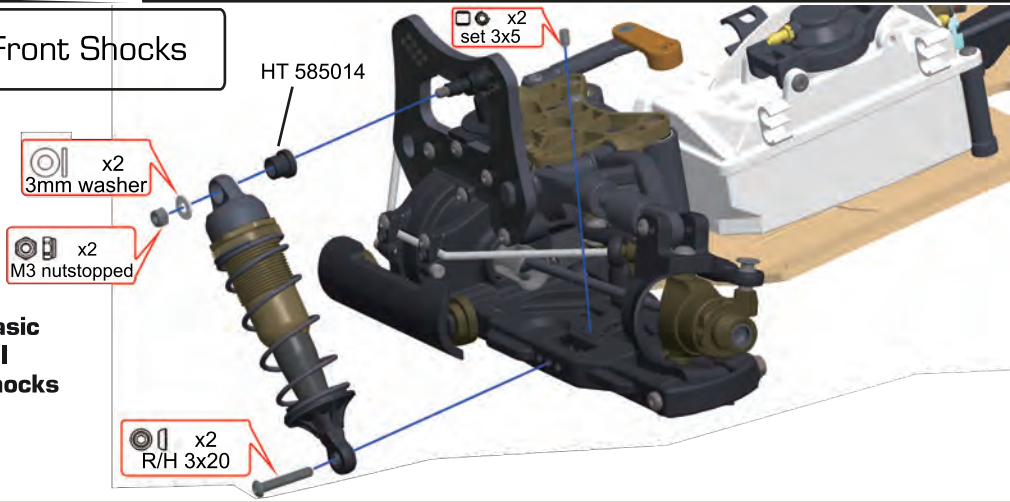
Rear Shocks Completly Set:
Item HT 598002



Step E-03

Front Shocks

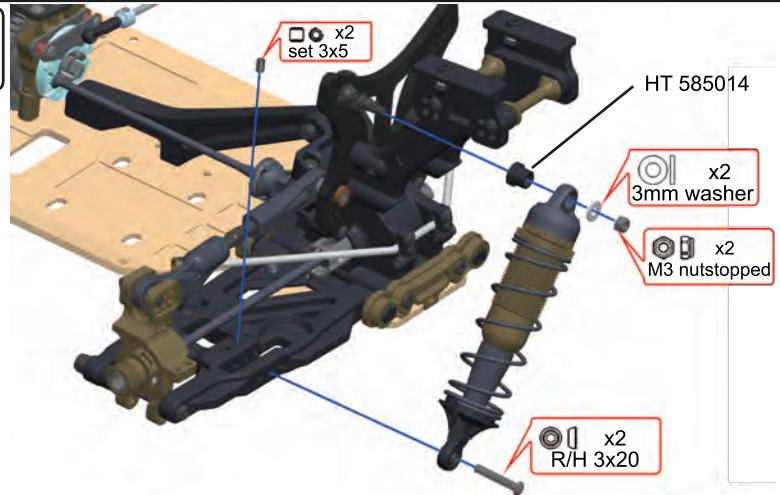
Note: Check in the Basic Setup Sheet for instal correctly the front shocks



Step E-04

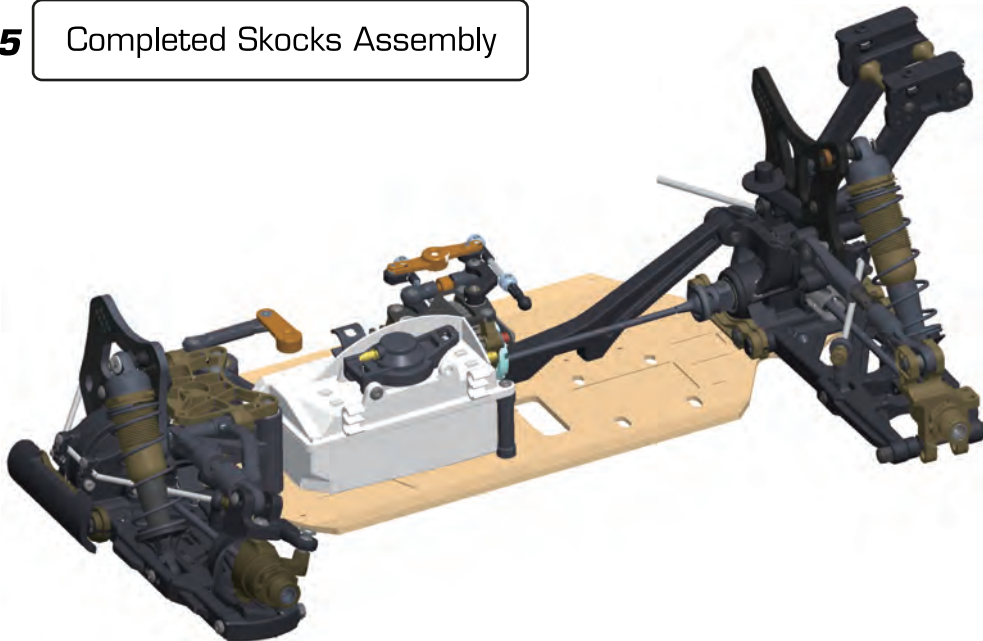
Rear Shocks

Note: Check in the Basic Setup Sheet for instal correctly the rear shocks



Step E-05

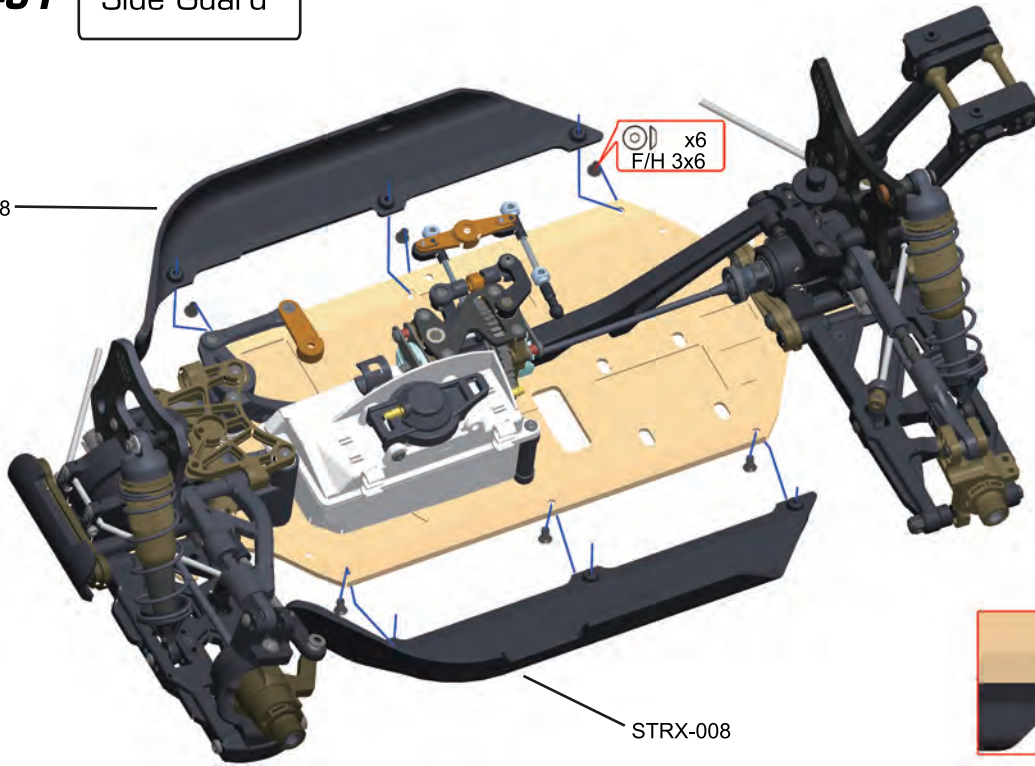
Completed Shocks Assembly



Step F-01

Side Guard

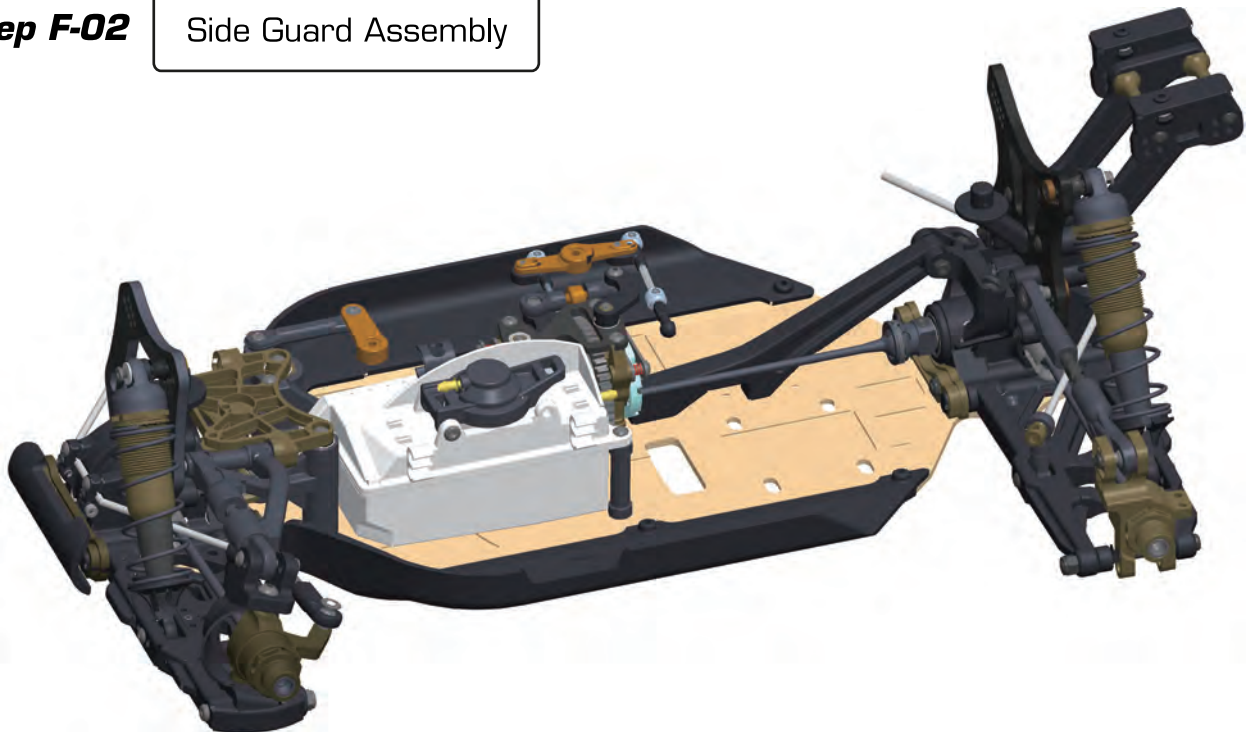
STRX-008



STRX-008

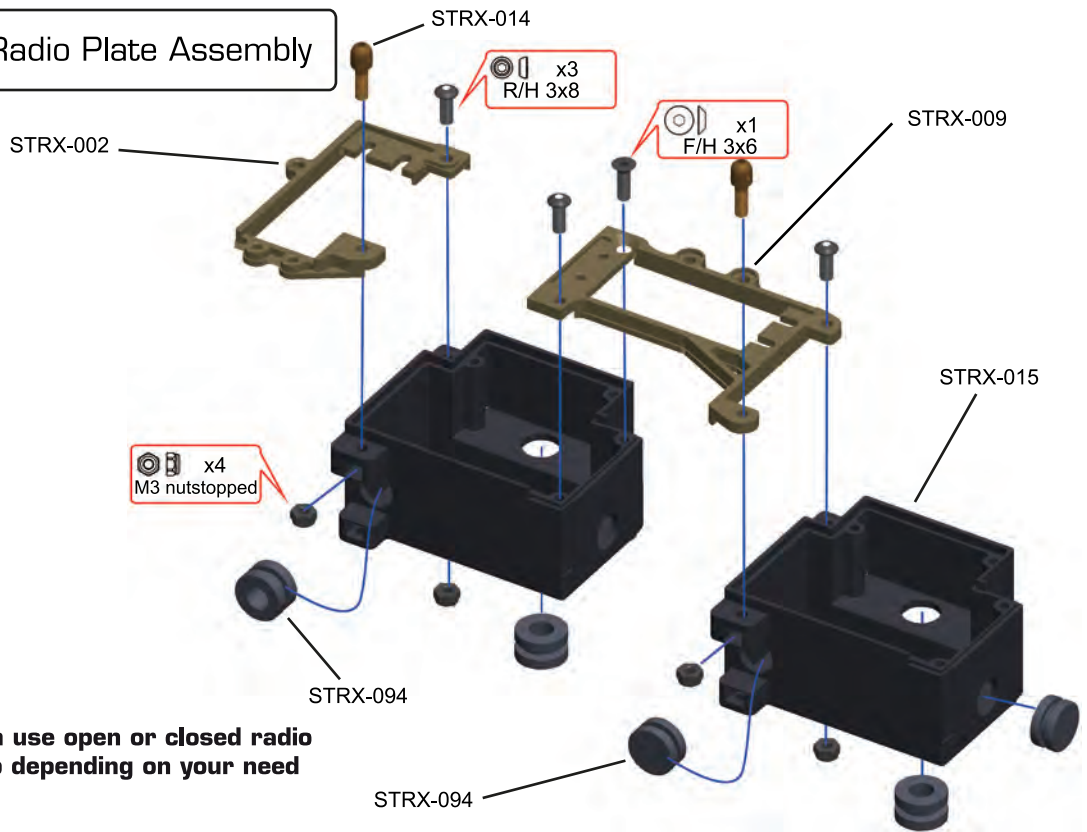
Step F-02

Side Guard Assembly



Step F-03

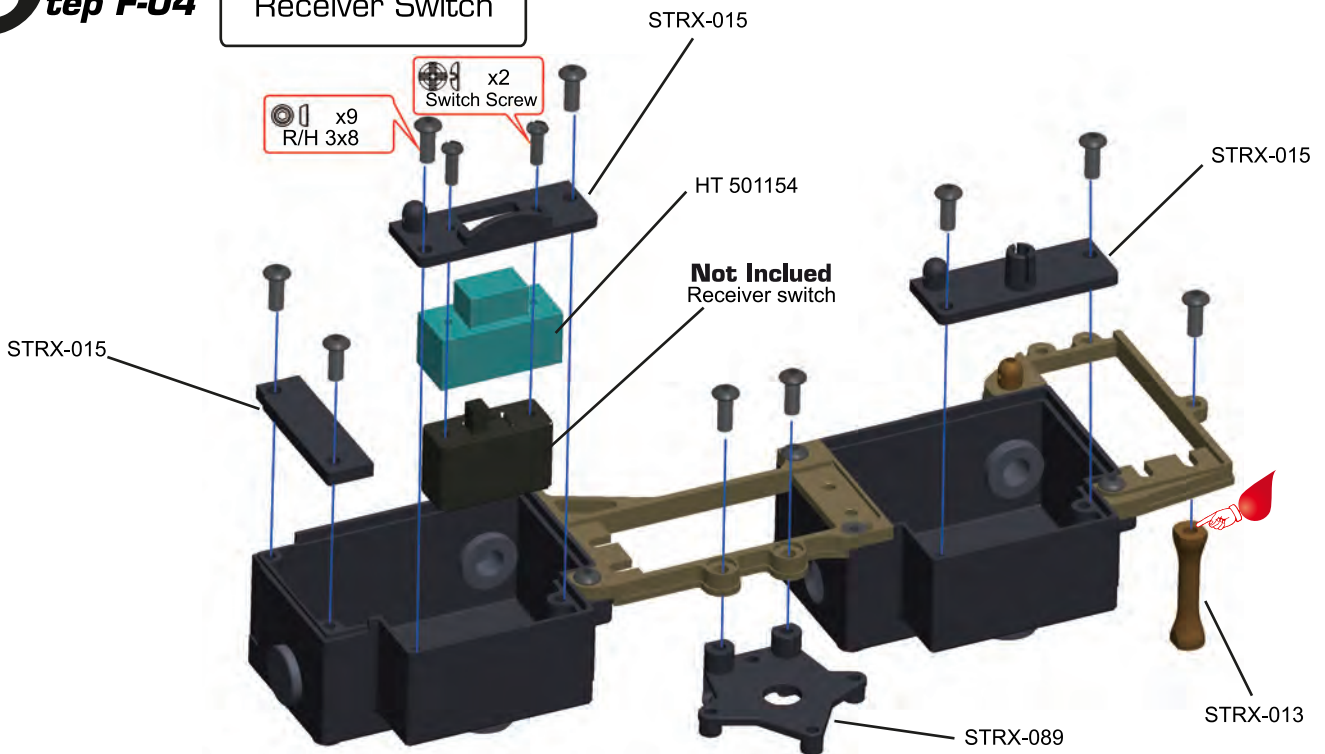
Radio Plate Assembly



You can use open or closed radio box cap depending on your need

Step F-04

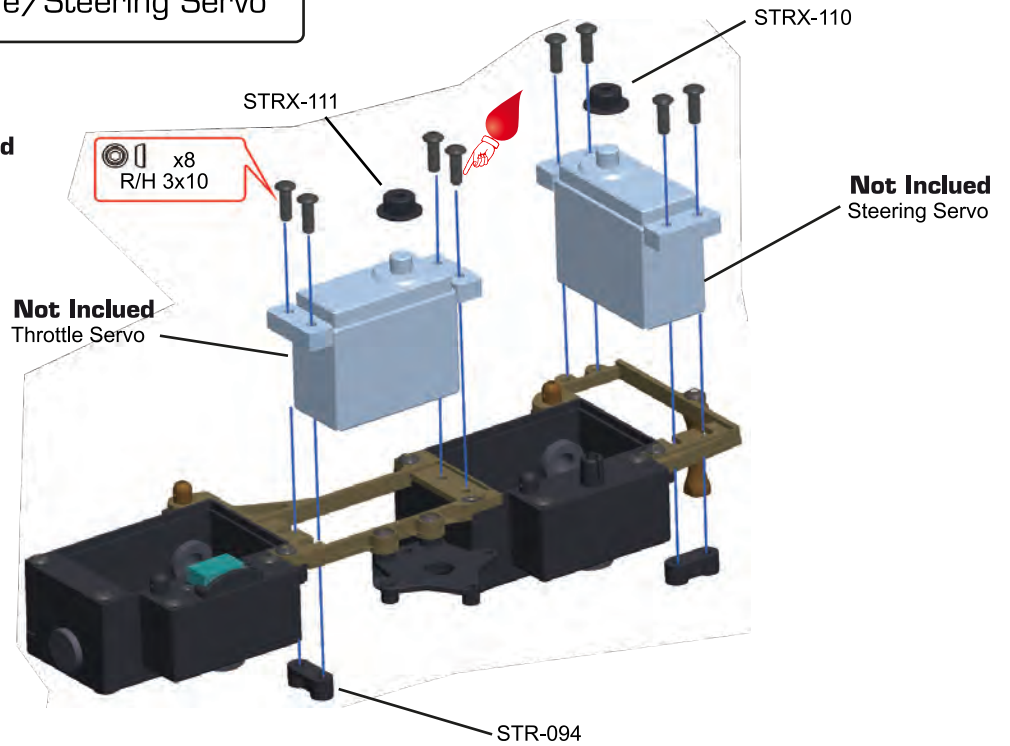
Receiver Switch



Step F-05

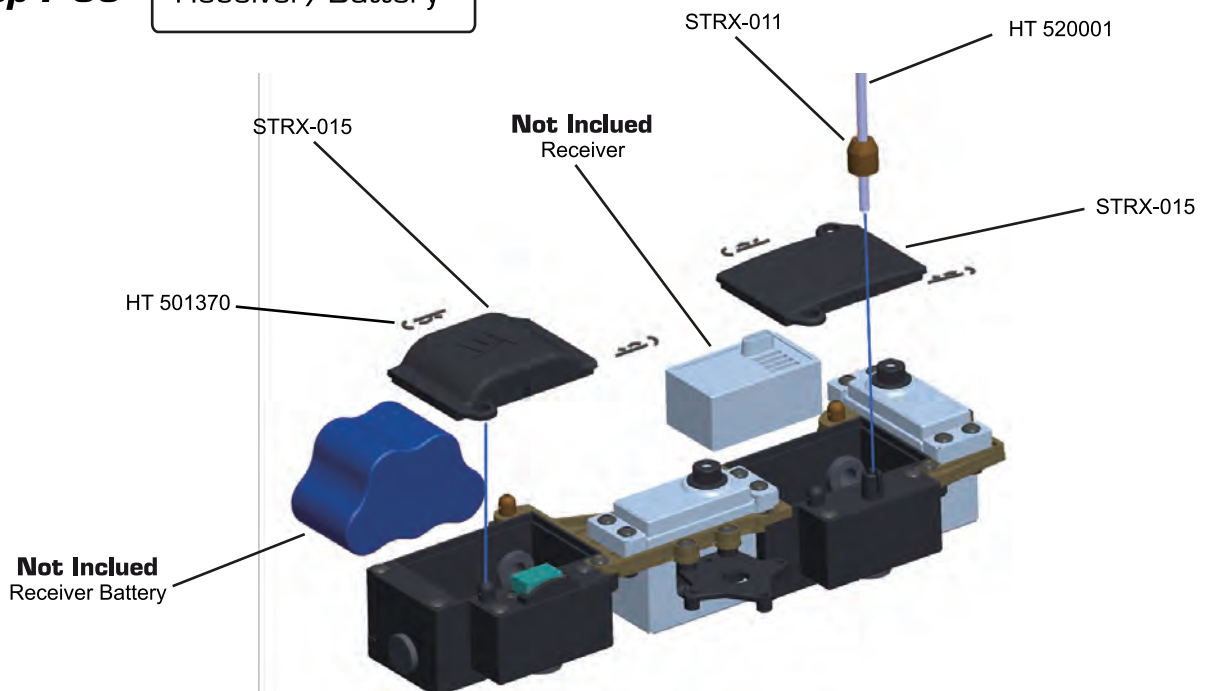
Throttle/Steering Servo

Note:
Use the right plastic insert
according to your servo brand



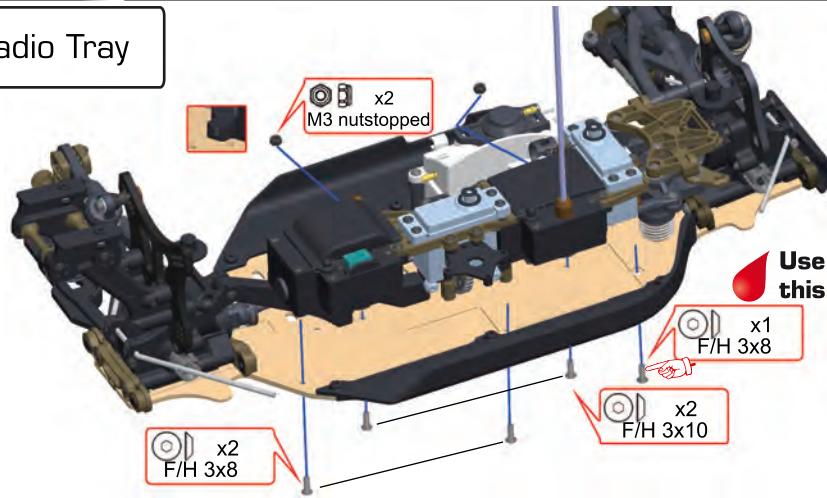
Step F-06

Receiver/Battery



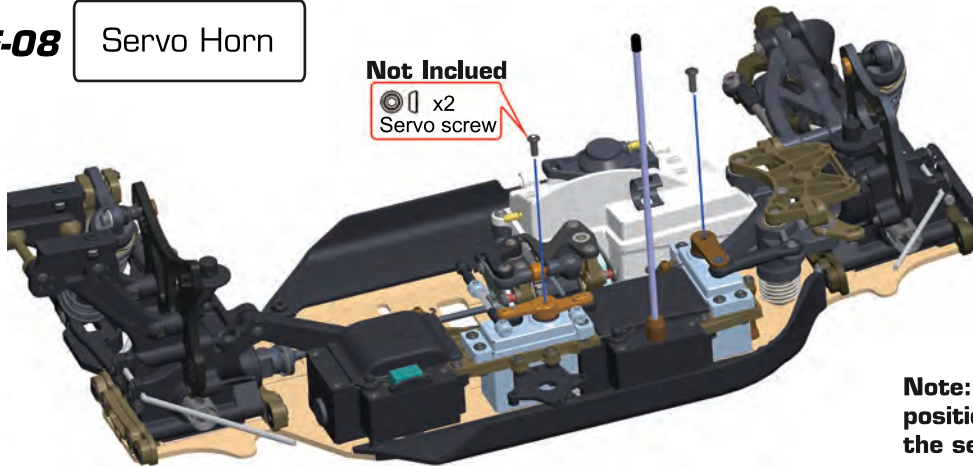
Step F-07

Radio Tray



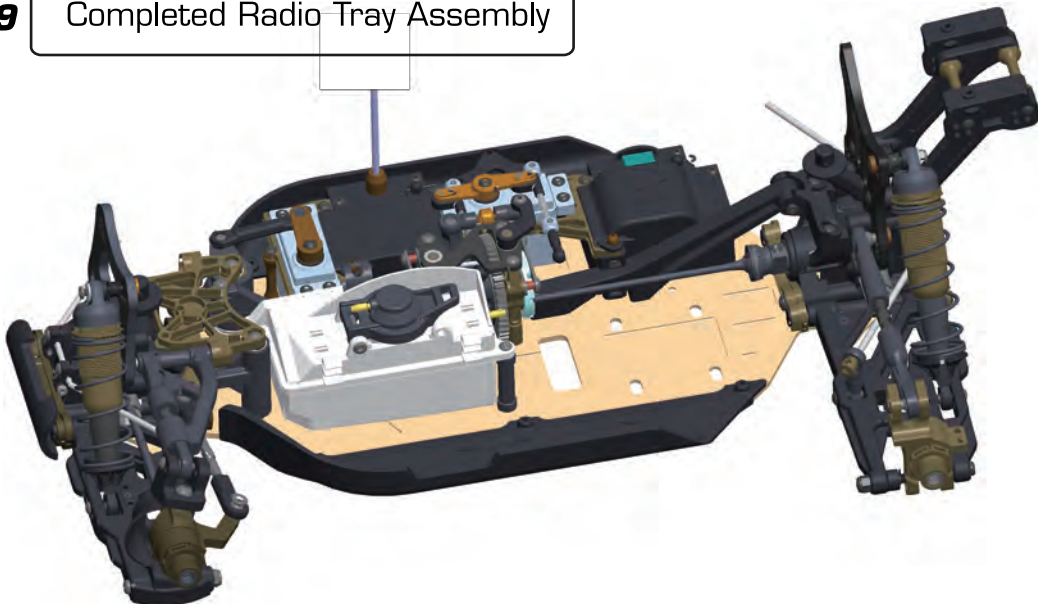
Step F-08

Servo Horn



Step F-09

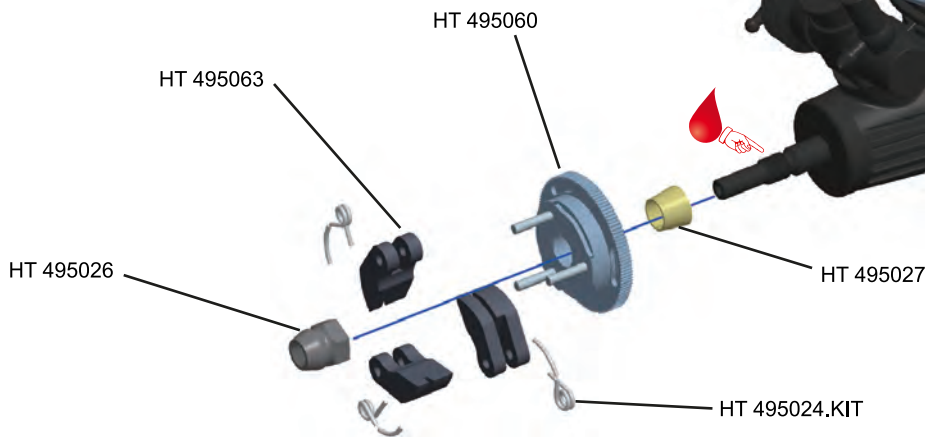
Completed Radio Tray Assembly



Step G-01 Clutch System

Spirit Clutch System Comply Set
ULTRA LIGHTWEIGHT
Item HT 495061

Not Included
Rear Exhaust
21 Engine



Step G-02 Clutch Bell

Note: Use the 5x8x0.2mm shim for achieve good clutchbell play (around 0.3 or 0.5mm)

x1
cap 3x10

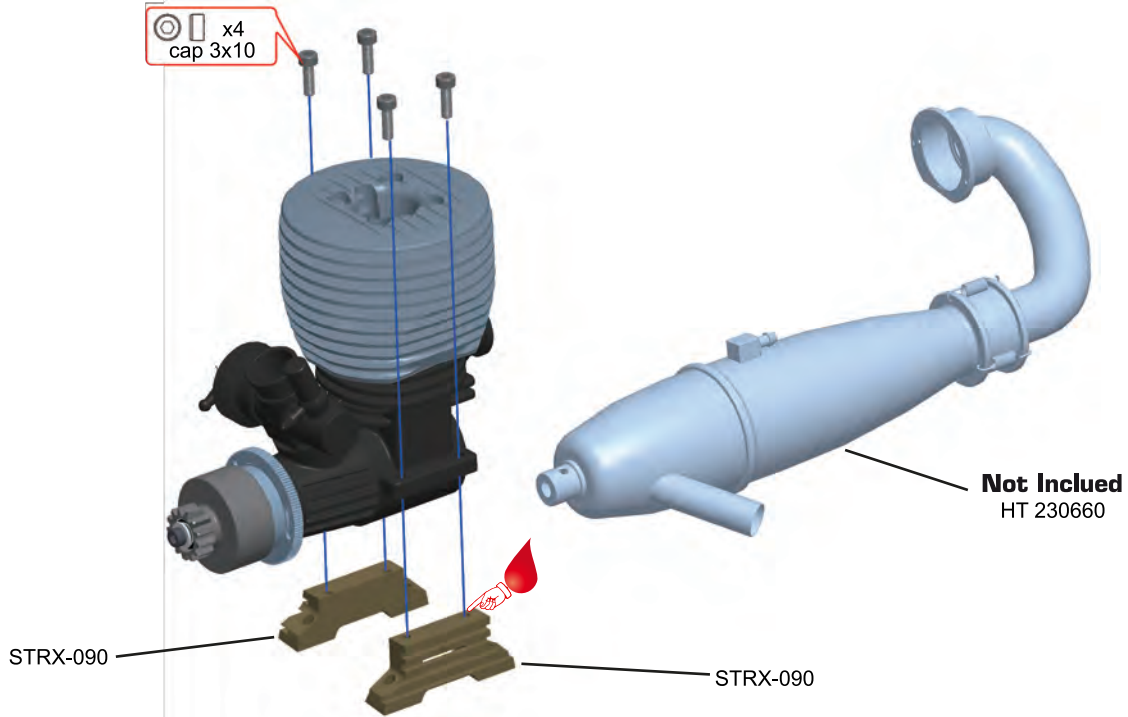
x1
3mm washer

x2
5x8x4 mm

HT 560211

Step G-03

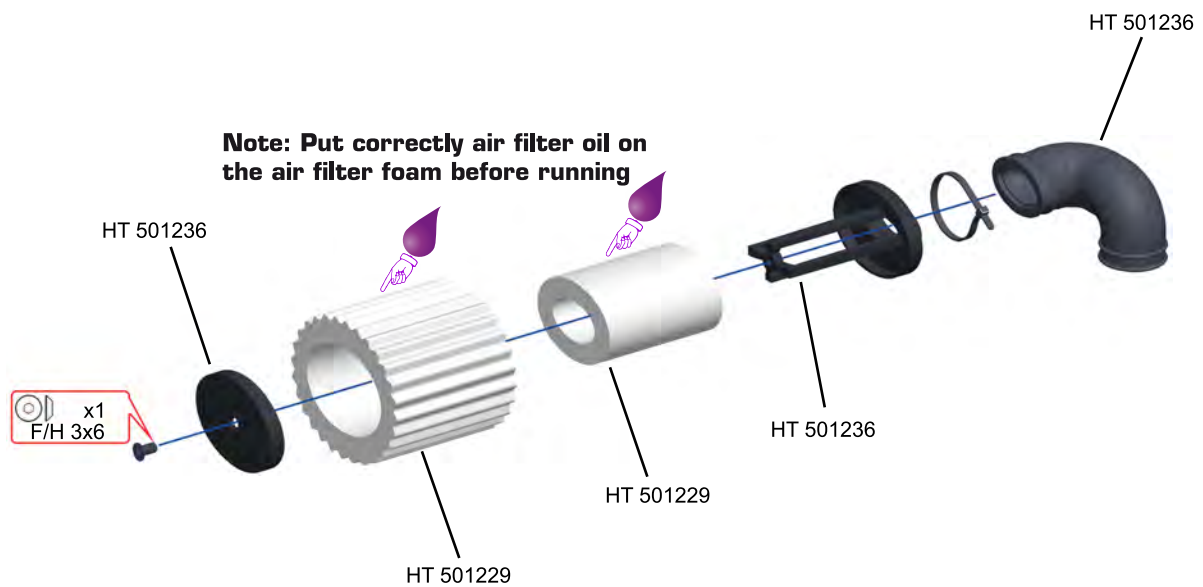
Engine Mount/Exhaust Pipe



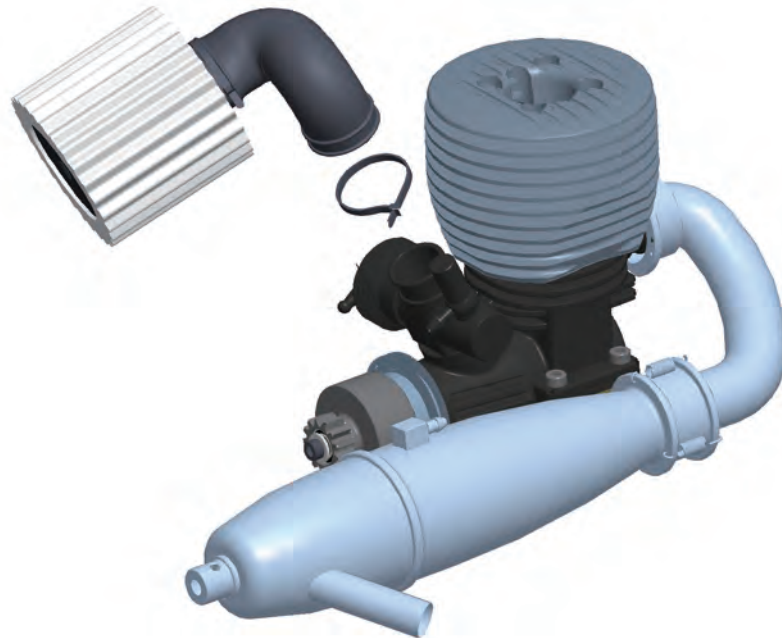
Step G-04

Air Filter

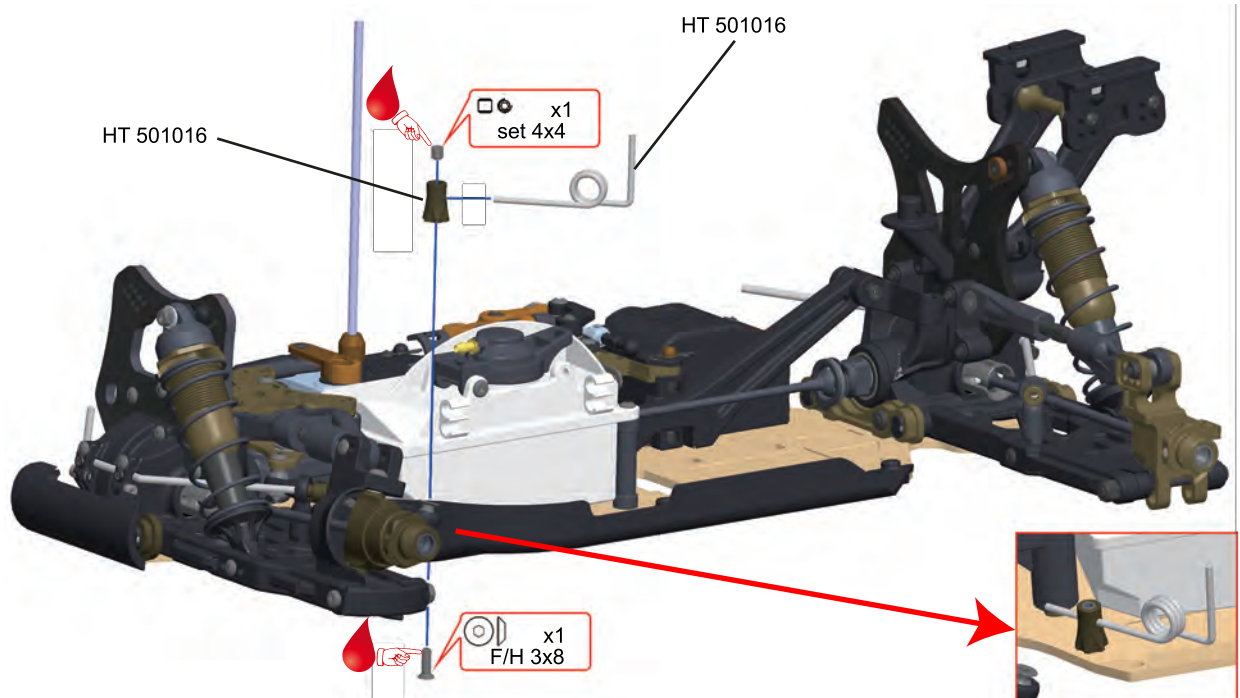
Note: Never run your engine without air filter



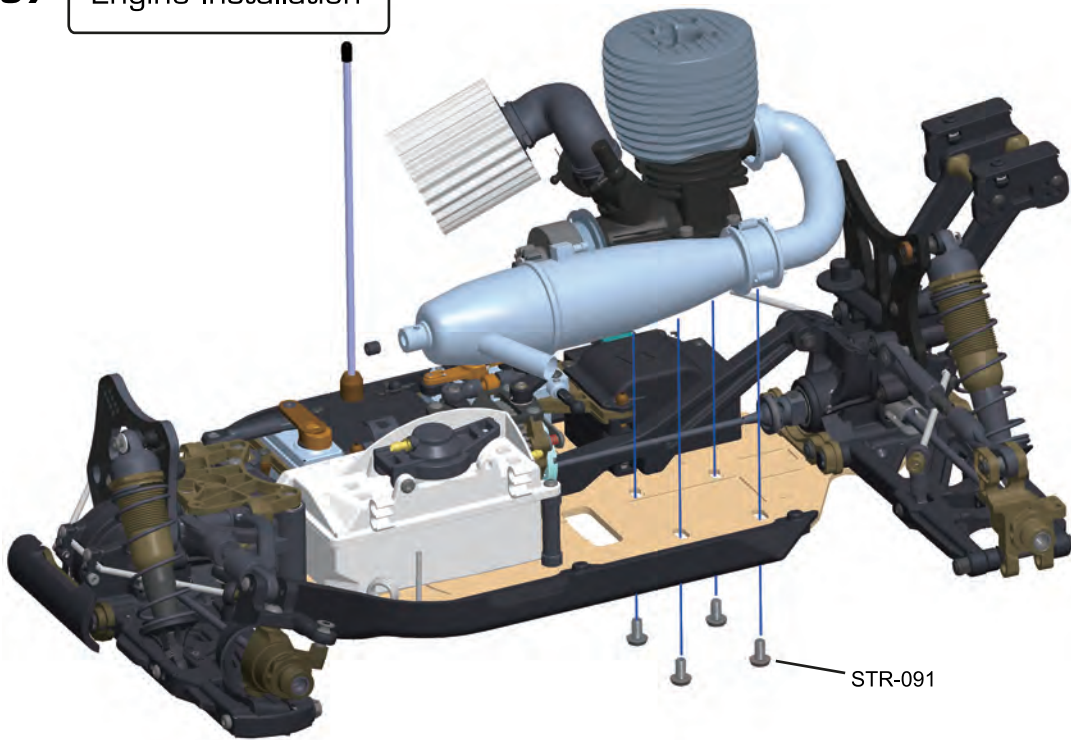
Step G-05 Air Filter Installation



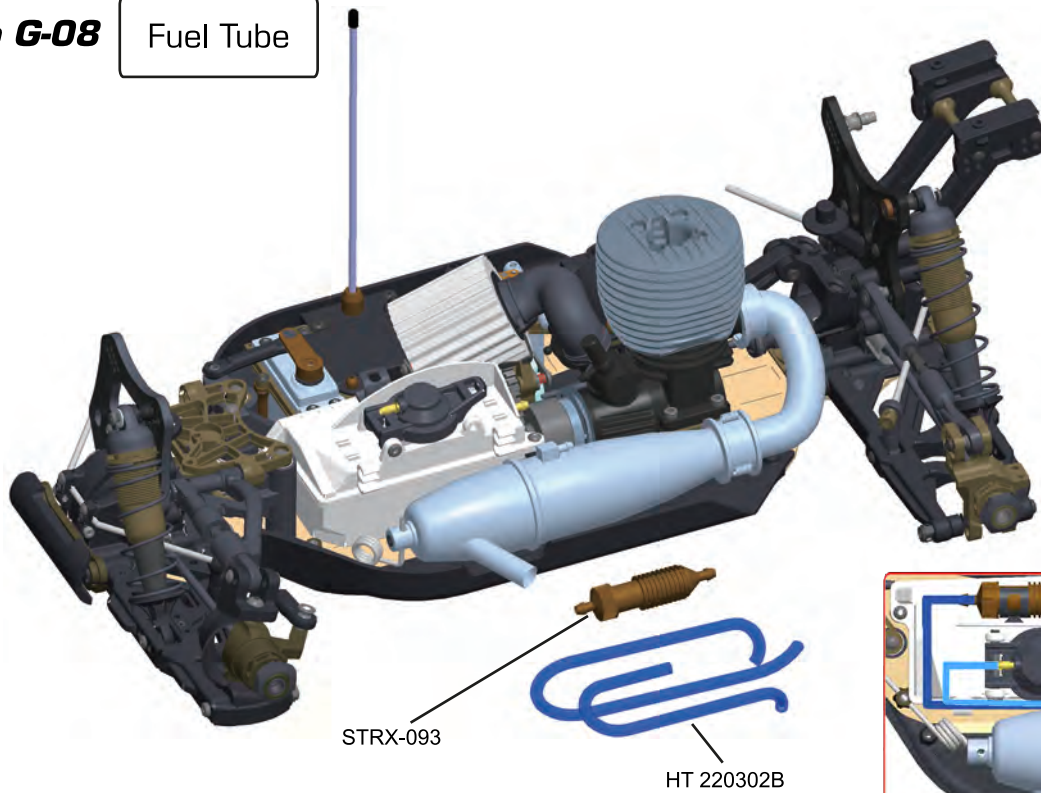
Step G-06 Exhaust Pipe Holder



Step G-07 Engine Installation



Step G-08 Fuel Tube



Step H-01

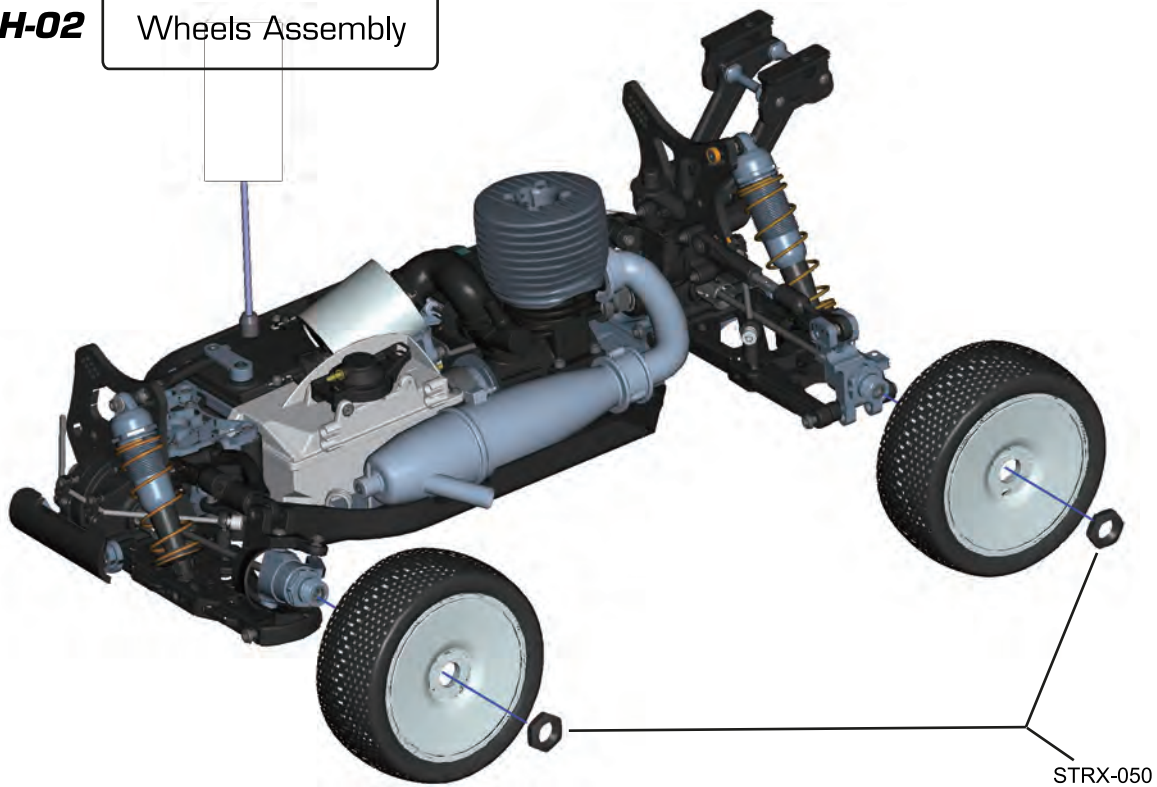
Wheels/Tyres

Not Included



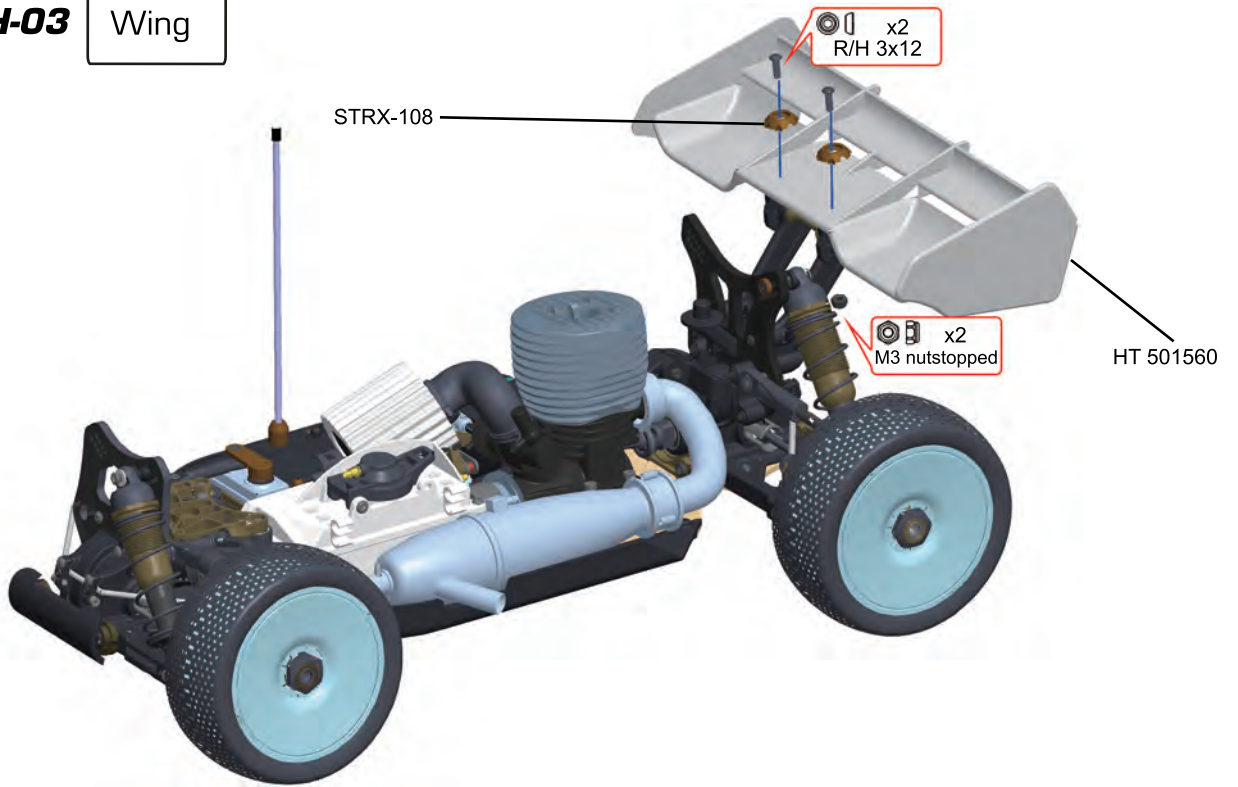
Step H-02

Wheels Assembly



Step H-03

Wing

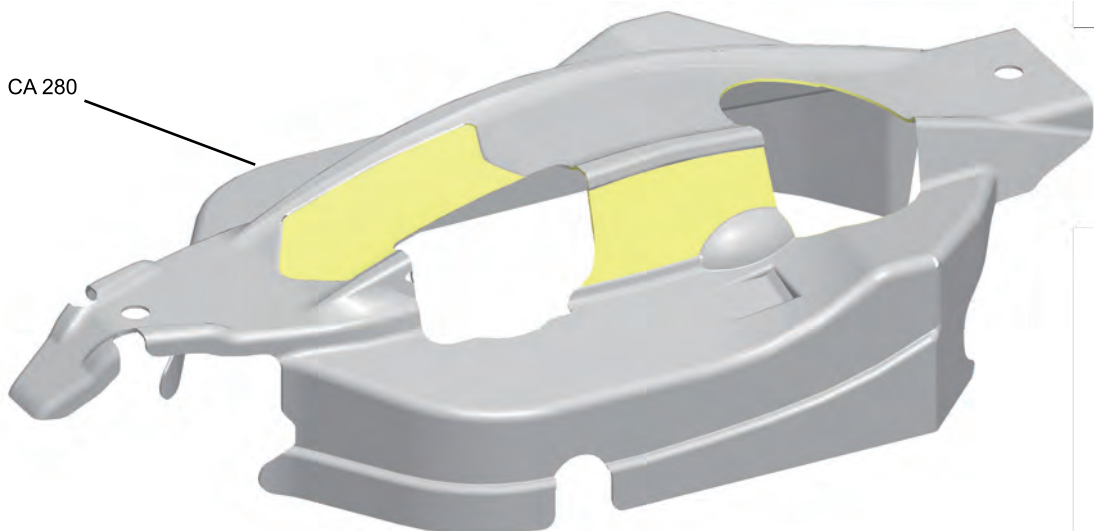


Step H-04

Body

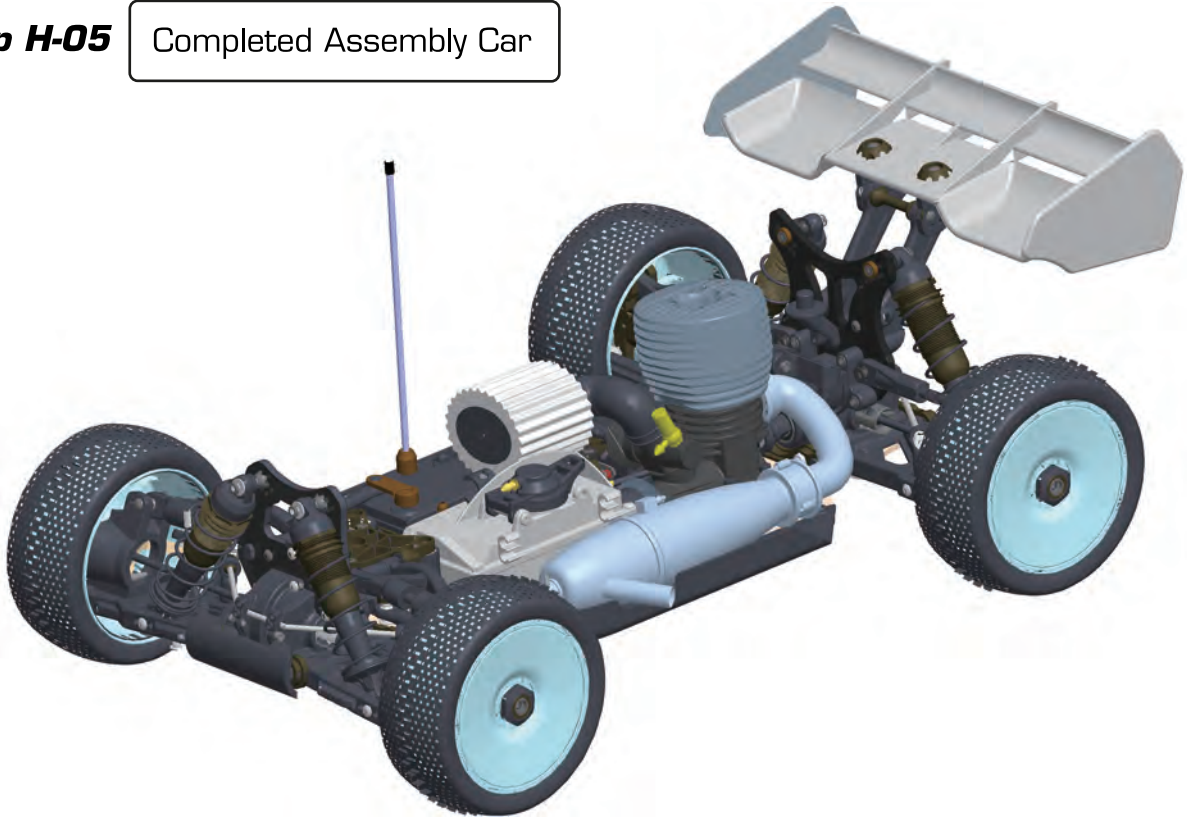
Note: Cut the body between the guide line

Don't forget to remove the protective film before putting the stickers



Step H-05

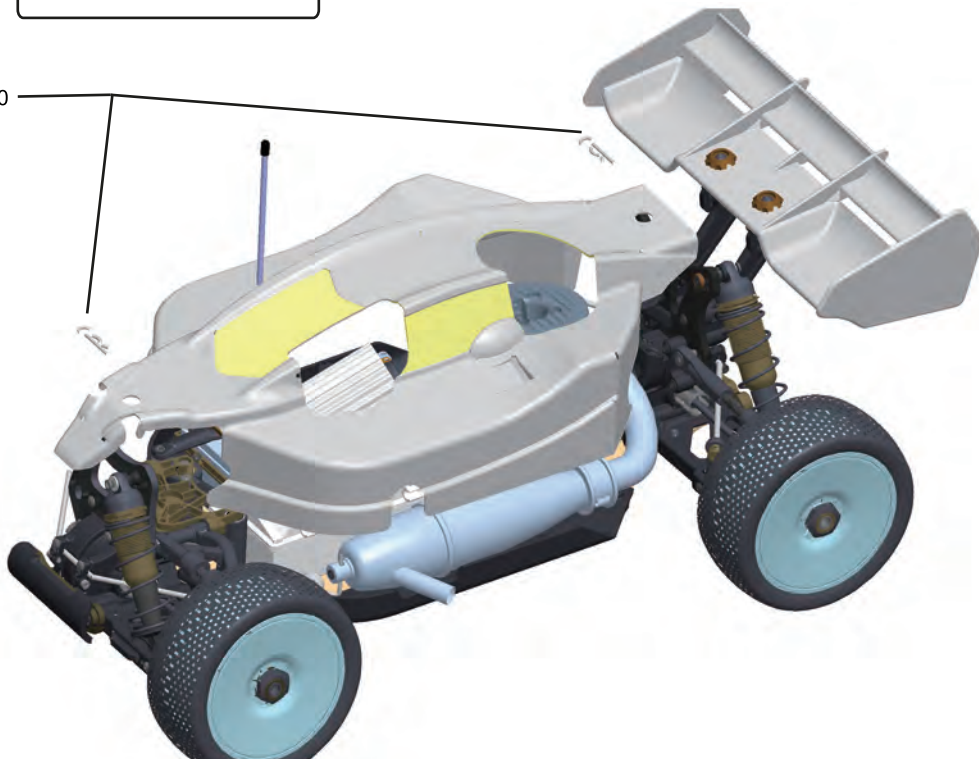
Completed Assembly Car



Step H-06

Body Assembly

HT 501390



Parts List

HT 220302B	Silicone fuel tube
HT 230660	In line Tune Pipe Set
HT 495024.KIT	Clutch Spring
HT 495026	Clutch Nut
HT 495027	Tapper cone 7mm Brace
HT 495060	Spirit Flywheel
HT 495061	Spirit Clutch System set
HT 495063	Spirit Clutch Shoes
HT 501016	Lightweight Muffler Stay
HT 501154	Switch Cover
HT 501229	Replacement air filter foam
HT 501236	Spirit Air Filter Set
HT 501370	1/18 body Hinge Pin
HT 501390	1/8 body Hinge Pin
HT 501560	Spirit White Wing
HT 510009Y	Ball End for Carburator/Brake
HT 520001	Antena Pipe
HT 560211	13 T Clutch Bell
HT 580108	Shocks Boots
HT 585014	Shocks cap bushing
HT 585005	Front shocks shaft
HT 585006	Rear shocks shaft
HT 585008	Shock rebuilt kit
HT 585011	Shocks 6mm Ball end
HT 585014	Shock Cap Bushing
HT 595009	Big Bore Shocks Bladder
HT 595010	Big bore plastic set
HT 595012	Soft Shocks Spring
HT 595013	Medium Shocks Spring
HT 595014	Hard Shocks Spring
HT 598001	Spirit Front Shocks Complety Set
HT 598002	Spirit Rear Shocks Complety Set
HT 598003	Spirit Front Shocks Bodies
HT 598004	Spirit Rear Shocks Bodies
HT 598005	Spirit Shocks Cap
HT 598006	Spirit Shocks adjustable Screw
HT 598015	Lightweight Shock Stand-Off
HT 598023	Shock Piston 15mm 6x1.3
STR-009	Fuel tank post set
STR-024	Servo Saver Spring
STR-031	Front Bumper
STR-032	F / R Body Mount

STR-033	Front / Rear Lower Arm
STR-037	F / R Lower Arm Insert
STR-038	Front upper arm
STR-039	Front Tie Rod End
STR-044	Suspension Clip Spacer
STR-045	Front C-hub left and right
STR-052	7 mm Ball End
STR-053	Sway Bar Mount Ball end
STR-056	Wing Stay Set
STR-063	Rear lower Susp hinge pin
STR-071	Red differential O-Ring
STR-072	Knuckle arm bushing and screw
STR-073	Diff Washer 3.6x12x0.1mm
STR-074	Diff Washer 6x12x0.2mm
STR-076	Diff. Bevel Gear Shaft
STR-077	Diff Bevel gear
STR-078	Diff Bevel gear 20T
STR-079	Differential Gaskets
STR-088	6mm ball end
STR-091	Engine mount Screw M4
STR-094	Plastic Servo Mount
STRS-029	7 mm Ball End
STRS-102B	Upgrade Steering Hinge Pin
STRS-102C	Upgrade Rear C-Hub Pin
STRS-116	Brake Plate Screw and Spring
STRS-117	13 TSmall Bevel Gear
STRS-119	43T Differerential Bevel Gear
STRS-120	46T Lightweight Steel Super Gear
STRX-001	Spirit Main Chassis
STRX-002	Front Radio plate
STRX-003	Center diff plate
STRX-004	Front Plate
STRX-005	Front Shock Tower
STRX-006	Rear Shock Tower
STRX-007	Steering Plate
STRX-008	Side Guard
STRX-009	Rear Radio plate
STRX-010	Fuel Tank
STRX-011	Antena Pipe Screw
STRX-012	Chassis Brace Set
STRX-013	Front Radio Plate Mount
STRX-014	Radio Plate Screw
STRX-015	Radio Box
STRX-016	Center Diff Mount
STRX-017	Brake Disc

STRX-018	Brake Plate
STRX-019	F / R Brake Cam
STRX-020	Brake cam level
STRX-021	Servo Saver Shaft
STRX-022	Servo Saver Arm
STRX-023	Servo Saver Pipe
STRX-024	Diff center lower Post
STRX-025	Servo Saver Spring Adjuster
STRX-026	Ackermann plate kit
STRX-027	Steering turnbuckle
STRX-028	7mm Steering Ball End
STRX-030	Gear Case Spirit
STRX-040	Front upper arm Turnbuckle
STRX-043	Front Upper susp Hinge Pin
STRX-046	Steering knuckle arm Left and Right
STRX-049	Wheel Hub
STRX-050	Wheel Nut
STRX-055	Rear Brace Holder
STRX-059	Stabilizer Ball
STRX-061	Spirit Rear Upper Arm link
STRX-062	Rear Upper Susp Turnbuckle
STRX-065	L / R Rear Hub
STRX-069	Diff case
STRX-070	Diff Drive Joint
STRX-071	Center Diff Drive Joint
STRX-085	Drive Joint center
STRX-086	Servo Ball End
STRX-088	Ball end
STRX-089	Transponder Holder
STRX-090	Engine mount
STRX-092	Spirit Screw Set
STRX-093	Spirit Fuel Filter
STRX-094	Radio Box Cap Set
STRX-100F	Front Center Drive Shaft 88 mm length
STRX-100R	Rear Center Drive Shaft 100 mm
STRX-102	Center Drive Couple
STRX-103	Security parts for Center Drive Pin
STRX-104	Front Drive Shaft 94 mm
STRX-105	Rear Drive Shaft 100 mm
STRX-106	Center Drive shaft pin
STRX-107	Front/ Rear Drive Couple
STRX-108	Lightweight Wing Washer
STRX-109	3mm Orange Countersunk Washer
STRX-110	Spirit Alum Steering Horn with adaptator
STRX-111	Spirit Alum Throttle Horn with adaptator

STRX-112	Teflon Ball Bearing Bushing
STRX-113	Gear Case hinge Pin
STRX-116	Adjustable brake system set
STRX-117	Wing Stay Spacer
STRX-120	Front suspension arm holder
STRX-121	Front toe in plate
STRX-122	A Rear Anti squat plate
STRX-123	B Rear Anti squat plate (OPTIONAL)
STRX-124	Fuel tube And Filter Holder Set
STRX-125	Front CVD Axle
STRX-126	Rear CVD Axle
STRX-127	A Rear toe in plate plate
STRX-128	B Rear toe in plate plate (OPTIONAL)
STRX-129	Spirit Throttle Linkage Set
STRX-130	Front Sway Bar 2.3 mm
STRX-135	Rear Sway Bar 2.8 mm

Ball Bearing List

HT 530110	Ball Bearing 5x8x4mm
HT 530130	Ball Bearing 5x8x2,5mm Flanged
HT 530140	Ball Bearing 4x8x2,5mm Flanged
HT 530155	Ball Bearing 8x14x4mm
HT 530163	Ball Bearing 6x10x3mm
HT 530165	Ball Bearing 8x16x5mm
HT 530167	Ball Bearing 12x18x4mm

Pin List

STR-048	Wheel Hub Pin 3.0x16.8mm
STR-075	Differential/CVD Axle Pin 2.5x11.8mm
STRX-106	Center CVD Pin 2.5x14mm
STRX-116	Brake Cam Pin 2x10mm (in brake linkage)

O-Ring List

HT 585008	Shock rebuilt kit 3.5x2mm
HT 595017	Shock Cap O-ring 15X1mm
HT 595018	Shock Screw O-ring 17x1.2mm
STR-071	Differential O-Ring 6x1.5mm
STRX-095	Center Diff Mount O-ring 16x1.2mm

Washer/Shim List

HT 525000	Shims 2.5x5x0.3mm
HT 525001	Shims 3x4.9x0.2mm
HT 525002	Shims 5x8x0.2mm
HT 525005	Shims 13x16x0.2mm
STR-073	Diff Washer 3.6x12x0.2mm
STR-074	Diff Washer 6x12x0.2mm
STRMB-080	Washer 3x8x0.8mm

Name : _____ Date: _____ Track/event: _____
 Temp : Air _____ °C Track _____ °C Best time : _____
 Race result : _____ Comment: _____



TRACK CONDITION

<input type="checkbox"/> Indoor	<input type="checkbox"/> Tight	<input type="checkbox"/> Smooth	<input type="checkbox"/> Hard Packed	<input type="checkbox"/> Blue Groove	<input type="checkbox"/> Wet	<input type="checkbox"/> Low Bite	<input type="checkbox"/> High Bite
<input type="checkbox"/> Outdoor	<input type="checkbox"/> Open	<input type="checkbox"/> Rough	<input type="checkbox"/> Loose/Loamy	<input type="checkbox"/> Dry	<input type="checkbox"/> Dusty	<input type="checkbox"/> Med Bite	<input type="checkbox"/> Other

FRONT SUSPENSION

Anti-roll bar _____ mm

Front Roll Center
 Front plate 1° 2° 3°
 Rear plate 1° 2° 3°

Camber angle _____ °

Kick-Up Position
 Front plate 1° 2° 3°
 Rear plate 1° 2° 3°

Rebound stop _____ mm

SHOCKS SETTINGS

	FRONT	REAR
Shock length	_____ mm	_____ mm
Silicon oil	_____ Wt	_____ Wt
Piston	x _____ mm	x _____ mm
Spring	_____	_____
Spring adjuster	_____ mm	_____ mm

REAR SUSPENSION

Anti-roll bar _____ mm

Camber angle _____ °

Rebound stop _____ mm

Toe-In Plate		Anti-Squat Plate	
A	<input type="checkbox"/> 1° <input type="checkbox"/> 2° <input type="checkbox"/> 3°	A	<input type="checkbox"/> 1° <input type="checkbox"/> 2° <input type="checkbox"/> 3°
B	<input type="checkbox"/> 1° <input type="checkbox"/> 2° <input type="checkbox"/> 3°	B	<input type="checkbox"/> 1° <input type="checkbox"/> 2° <input type="checkbox"/> 3°

STEERING ACKERMANN

DIFFERENTIALS SETTINGS

Front	_____	<input type="checkbox"/> Other	_____
Center	_____	<input type="checkbox"/> Other	_____
Rear	_____	<input type="checkbox"/> Other	_____

TIRES

	FRONT	REAR
Brand	_____	_____
Type	_____	_____
Compound	_____	_____
Insert	_____	_____

ENGINE

Engine _____

Plug _____

Reduce _____ mm

Muffler _____

Fuel _____

CLUTCH

Spur Gear _____ T

Pinion _____ T

Clutch spring _____ mm

Clutch shoes _____

Other _____

COMMENT

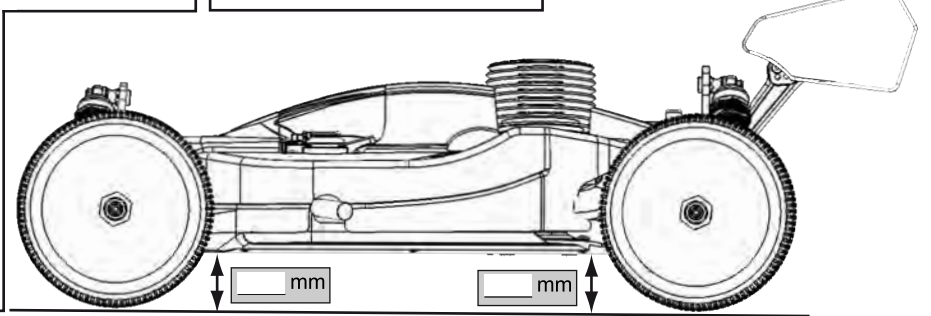
WING POSITION

WHEELBASE

Front

Middle

Rear

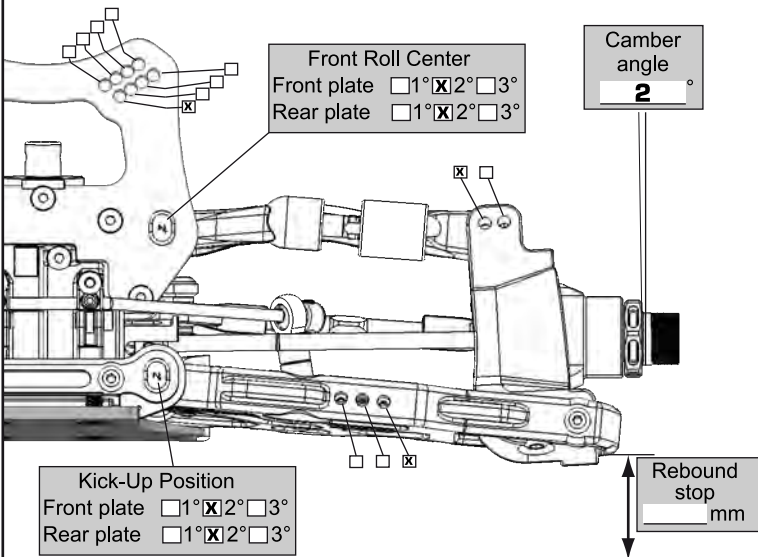


TRACK CONDITION

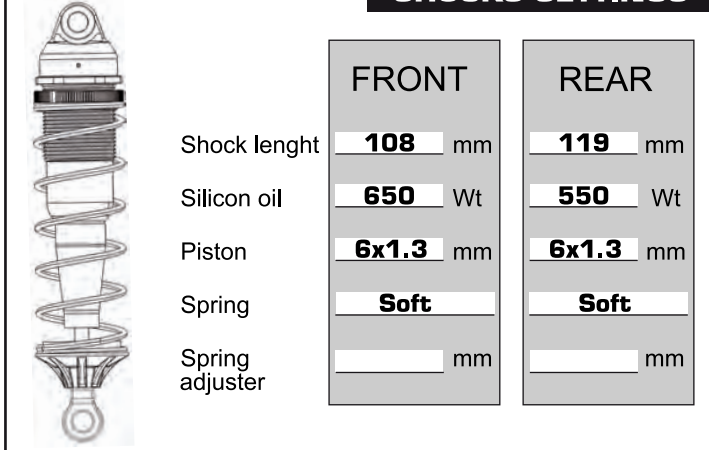
- Indoor Tight Smooth Hard Packed Blue Groove Wet Low Bite High Bite
 Outdoor Open Rough Loose/Loamy Dry Dusty Med Bite Other

FRONT SUSPENSION

Anti-roll bar **2.3** mm

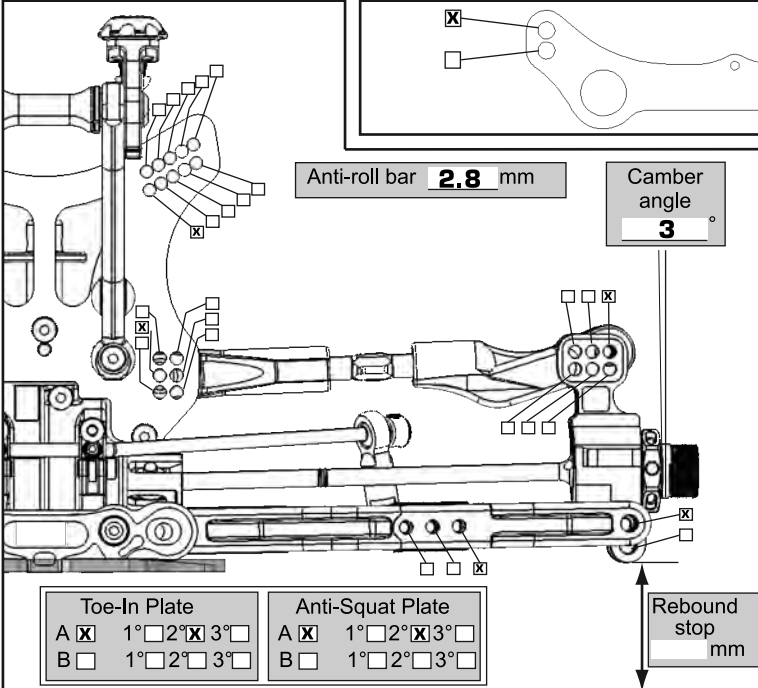


SHOCKS SETTINGS

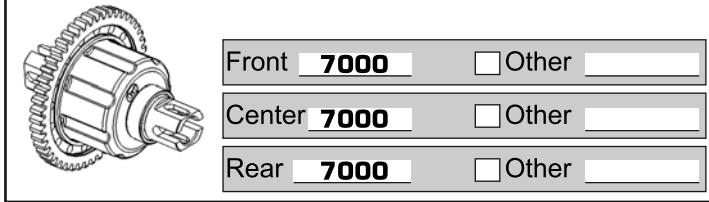


REAR SUSPENSION

STEERING ACKERMANN



DIFFERENTIALS SETTINGS



TIRES

Brand
Type
Compound
Insert

	FRONT	REAR
Brand		
Type		
Compound		
Insert		

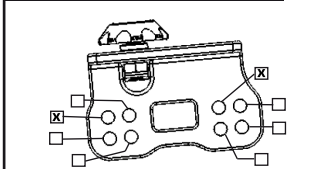
ENGINE

Engine
 Plug
 Reduce mm
 Muffler
 Fuel

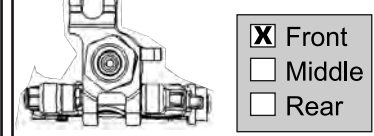
CLUTCH

Spur Gear **46** T
 Pinion **13** T
 Clutch spring mm
 Clutch shoes
 Other

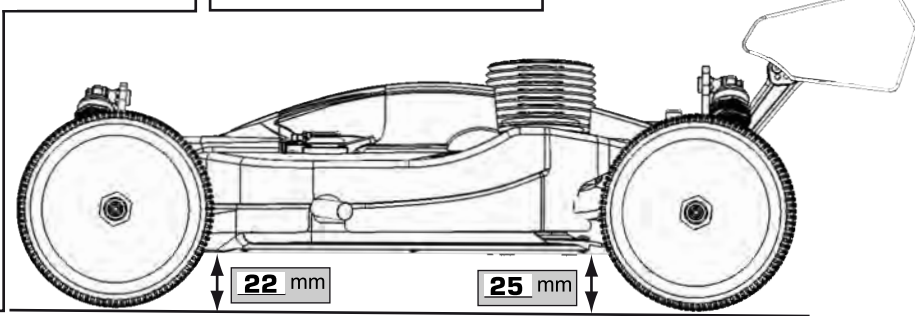
WING POSITION



WHEELBASE



COMMENT





NOTES



NO COMPROMISE!
1/8 SCALE NITRO 4WD RACING KIT



WWW.HOBBYTECH-RC.COM